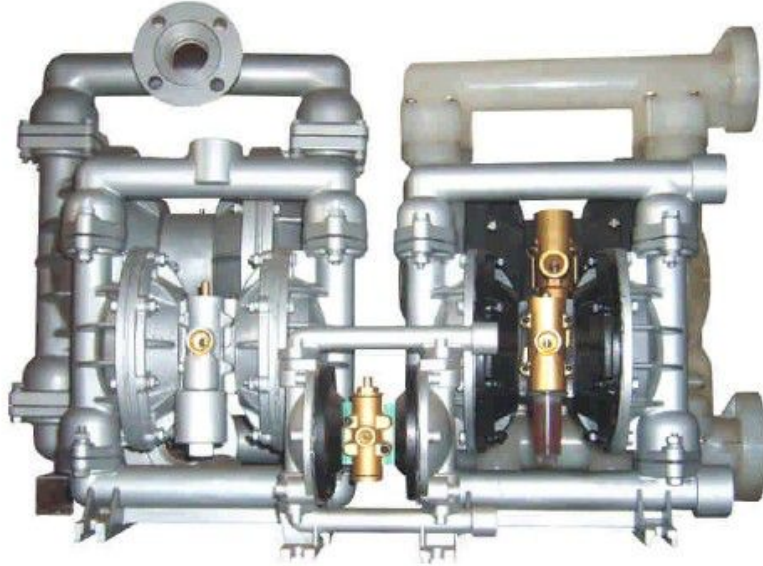


## QBY/QBK Series Air Operated Diaphragm Pump



QBY Series



QBK Series

SHANGHAI PACIFIC PUMP MANUFACTURE (GROUP) CO.,LTD

## Performance Summary

QBY/QBK air operated diaphragm pumps not only can exhaust the flow liquid, but also can convey some uneasy flowed medium, with the merits of self-pumping pump, diving pump, shield pump, slurry pump and impurity pump etc.

1. It's unnecessary to pour the drawing water, the suction lift reaches 5m height, the delivery lift reaches 70m length and the export pressure  $\geq 7$ bar.
2. Wide flow and good performance. The diameter allowed to pass the max grain reaches 10mm. The damage is very less to the pump while exhausting the slurry and impurity.
3. The delivery lift and flow can pass the pneumatic valve open to realize the step less adjustment (the pneumatic pressure adjustment is between 1-7bar).
4. This pump has no rotary parts and no bearing seals. The diaphragm will completely separate the exhausted medium and pump running parts, working medium. The conveyed medium can't be leaked outside. Thus it will not cause the environmental pollution and human body safety dangerous while exhausting the toxin and flammable or corrosive medium.
5. No electricity. It's safe and reliable while using in the flammable and explore places.
6. It can be soaked in medium.
7. It's convenient to use and reliable to work. Only open or close the gas valve body while starting or stopping. Even if no medium operation or pausing suddenly for long time because of accident matters, the pump will not be damaged caused by this. Once over-loading, the pump will automaticcly stop and possesses the self protection

function. When the load recovers normally, it also can start automatically.

8. Simple structure and less wearing parts. This pump is simple in structure, installation and maintenance. The medium conveyed by the pump will not touch the matched pneumatic valve and coupling lever etc. Not like other kinds pump the performance will drop down gradually because of the damages of rotor, gear and vane etc.

9. It can transmit the adhesive liquid (the viscosity is below 10000 centipoises).

10. This pump needn't the oil lubricant. Even if idling, it has any influence to the pump.

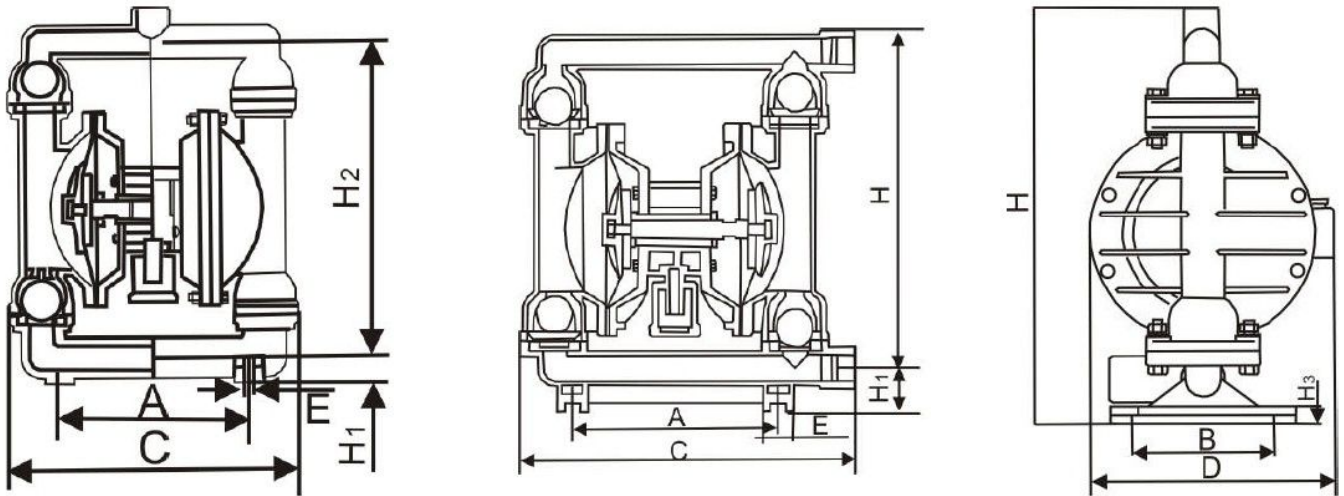
This is a characteristic of this pump.

## General Specification

Type	Suction		Discharge		Type of Connection				Material of pump body				
	inch	mm	inch	mm	NPT	BSPT	ANSI Flange	DIN Flange	Cast Iron	Aluminum Alloy	Stainless Steel	Engineering Plastic	Rubber Lining
QBK-8	5/16	8	5/16	8	●	●	--	--	●	●	●	●	--
QBY/K-10	3/8	10	3/8	10	●	●	--	--	●	●	●	●	--
QBY/K-15	1/2	15	1/2	15	●	●	--	--	●	●	●	●	--
QBY/K-25	1	25	1	25	●	●	--	--	●	●	●	●	●
QBY/K-40	1 <sup>1/2</sup>	40	1 <sup>1/2</sup>	32	●	●	--	--	●	●	●	●	●
QBY/K-50	2	50	2	50	--	--	●	●	●	●	●	--	●
QBY/K-65	2 <sup>1/2</sup>	65	2 <sup>1/2</sup>	65	--	--	●	●	●	●	●	--	●
QBY/K-80	3	80	3	80	--	--	●	●	●	●	●	--	●
QBY/K-100	4	100	4	100	--	--	●	●	●	●	●	--	●

PS: ● has this type; -- don't have this type

## Main External Dimension



Tables of setting data: mm

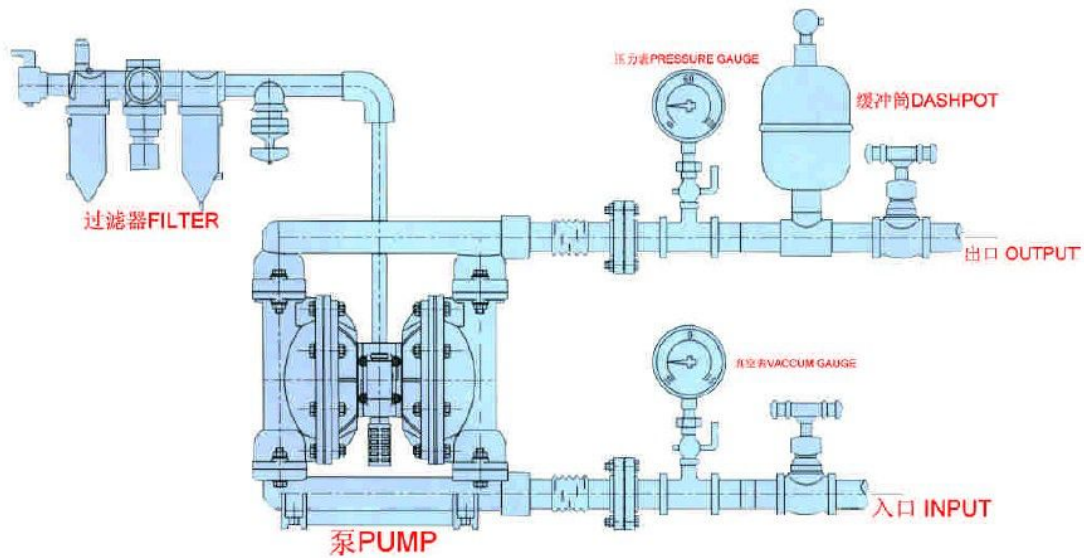
Type	A	B	C	D	E	H1	H2	H3	H
QBK-8	135	48	218	144	12	34	176	10	226
QBY/K-10	135	48	218	144	12	34	176	10	226
QBY/K-15	135	48	218	144	12	34	176	10	226
QBY/K-25	236	145	381	248	12	46	344	18	412
QBY/K-40	236	145	381	248	12	50	348	18	428
QBY/K-50	320	220	518	347	14	50	521	27	609
QBY/K-65	320	220	494	347	14	99	526.4	50	718
QBY/K-80	360	240	634	455	18	96	696	50	842
QBY/K-100	360	240	574	455	18	120	719	50	953.5

The dimension for the flange is designed in accordance with the relevant standard, and it can be specified as the customers' requirement.

## Main Specifications

Type	Max Flow Rate (L/min)	Discharge Pressure(bar)	Sucked Lift(m)	Max Grain Diameter (mm)	Max Air Consumption (L/min)	Material of Diaphragm				
						Buna-N	Neoprene	EPDM	Viton	Teflon
QBK-8	13	7	0-5	1	300	●	●	●	●	●
QBY/K-10	16	7	0-5	1	300	●	●	●	●	●
QBY/K-15	20	7	0-5	1	300	●	●	●	●	●
QBY/K-25	100	7	0-5	2.5	600	●	●	●	●	●
QBY/K-40	140	7	0-5	4.5	600	●	●	●	●	●
QBY/K-50	240	7	0-5	8	900	●	●	●	●	●
QBY/K-65	280	7	0-5	8	900	●	●	●	●	●
QBY/K-80	400	7	0-5	10	1500	●	●	●	●	●
QBY/K-100	480	7	0-5	10	1500	●	●	●	●	●

## System Connection Schematic Diagram



Note: When the air operated diaphragm pump works, install the air filter to leach the moisture from the compressed air, and install the manometer at the outlet of pump, so to avoid damaging as too high pressure, when the pump doesn' t need work, please clean it in time to prevent from concreting.

Many more details please connect with us for quotation.



## SHNGHAI PACIFIC PUMP MANUFACTURE (GROUP) CO.,LTD

ADD: No.25, Lane 7488, Hutai Road, Shanghai China.

HOTLINE: 40010 40017

TEL: 86 21 3997 1889

FAX: 86 21 3997 2020

EMAIL: [info@pacificpumpgroup.com](mailto:info@pacificpumpgroup.com)

Http:// [www.pacificpumpgroup.com](http://www.pacificpumpgroup.com)