



TPG Series Vertical Closed Coupled Inline Pump



Shanghai Pacific Pump Manufacture (Group) Co.,Ltd

URL:www.pacificpumpgroup.com

E-mail:info@pacificpumpgroup.com

Tel:86-21-3997 1889

Fax:86-21-3997 2020

Address:No.25,Lane 7488,Hutai Road,Shanghai



目 录

CONTENTS

产品概述、产品特点 Outline of the product, Product features	1
工作条件、型号意义 Working conditions, Model meaning	2
主要用途 Chief usage	3
泵结构图 The configuration of TPG type pump	4
型谱图 The configuration of TPG atlas of style	4
泵性能参数 TPG type pump performance data	6
泵性能参数 TPG type pump performance data	13
泵安装尺寸图、尺寸表 TPG type pump dimension figure&dimension table	16
泵安装尺寸表 TPG type pump dimension table	17
泵安装尺寸表 TPG type pump dimension table	24
泵附件及安装基础图表 Pump spare parts and installation basic figure table	26
泵无隔振安装基础图、尺寸表 Installation basic drawing and table of dimension for TPG type pump non-isolation	27
泵的安装方式 installation methods for pump	28
管路损耗参考表 Reference table for pipeline loss	29

MODEL TPG SINGLE-STAGE SINGLE-SUCTION VERTICAL CENTRIFUGAL PUMP

产品概述 Outlineoftheproduct

TPG型单级单吸立式离心泵是本公司采用IS型离心泵性能参数和立式泵结构之长，严格按照国际标准ISO 2858及最新国家标准设计成功的高效节能产品，是代替IS型卧式泵、DL型泵等常规产品的新颖立式离心泵。

流量范围1.5~2400m³/h，扬程范围8~150m，分基本型、扩流型、A、B、C切割型等250多种规格。根据流量介质和温度不同，设计制造成同性能参数的SLR型热水泵、SLH型化工泵、SLY(YG)型油泵和SLHY型立式防爆化工泵系列产品。

产品特点 Productfeatures

1、泵结构紧凑、体积小、外形美观。其立式结构重心较低且重心重合于泵脚中心，增强了泵的运行稳定性和寿命。

2、安装方便。进出口径相同 在同一中心线上，可象阀门一样直接安装在管路任何部位。电机加上防雨罩可置于户外使用。泵设有安装底脚，以便泵的安装稳定。

3、运行平稳、噪音低、组件同心度高。电机采用低噪音轴承， 设有不停机加油装置，泵叶轮具有极好的动静平衡，运行无振动，改善使用环境。

4、无渗漏。轴封采用耐腐硬质合金机械密封，解决了离心泵填料密封渗漏严重的问题，延长了使用寿命，确保了运行场地干净整洁。

5、维修方便。勿需拆卸管道，只要拆下泵盖螺母，取出电机及传动组件即可进行检修维护。

6、可根据现场使用条件,泵机可立式、卧式、多方式安装，依据流量扬程要求，采用 、串联方法，增加所需流量扬程。

Model TPG single-suction vertical centrifugal pump is a high-effective energy-saving product successfully designed by means of adopting the property data of IS model centrifugal pump and the unique merits of vertical pump and strictly in accordance with ISO2858 world standard and the latest national standard and an ideal product to replace IS horizontal pump, DL model pump etc. ordinary pumps.

The flow range is 1.5~2400m³/h and the stroke range 8-150m and there are basic type, by-passtype, A、B、C cutting type etc. more than 250 specifications. And per the different flow medium and temperature, SLR hot-water pump, SLH chemical pump and SLY(YG) oil pump and SLHY vertical non-explosive chemical pump. etc. Series products. of the same type and same proprty data have been designed and made.

1.Compact structure, small volume, beautiful outlook. The lower barycenter of the vertical structure which coincides with the center of the pump feet strengthens the stability of running and the duration.

2.Easy to mount. Because of the same apertures of both inlet and outlet which also locate on the same central line, the pump can be directly mounted on any part of the pipeline just as a valve. The motor is covered with a rain-proof cap so that operation can be done outdoors. Mounting feet are equipped with the pump so that it can be stably mounted.

3.Stable running, low noise, high concentricity of components. Bearings of low noise are used for the motor, the impellers are of best dynamic and static balance, no vibration at running and the environment thus being improved.

4.No leakage. The shaft is mechaically sealed with carbide alloy wearable material, settling the serious leakage of the filling seal of a centrifugal pump, extending the duration and ensuring the operation place clean and tidy.

5.Easy to maintain. Not necessary to remove the pipeline for check-out and maintenance, only to take out the nuts on the pump lid, the motor and the driving components.

6.The pump, according to the operation condition of the worksite, may be vertically, horizontally etc. multiways mounted and also according to the requirements for the flow and stroke, mounted in parallel and/or in series to increase the needed flow and stroke.

工作条件 Working conditions

1、泵系统量高工作压力为 $\leq 1.6\text{MPa}$ ，即泵吸入口压力+泵扬程 $\leq 1.6\text{MPa}$ ，订货时请注明系统工作压力。当进口压力大于 0.4MPa ，或泵系统工作压力大于 1.6MPa 时，应在订货时另行提出，以便在制造时，泵的过流部分和联接部分采用铸钢材料。

2、适用介质：清水泵介质应无腐蚀性液体、介质固体不溶物，其体积不超过单位体积 0.1% ，粒度 $<0.2\text{mm}$ ，如介质为带有细小颗粒的请在订货时说明。

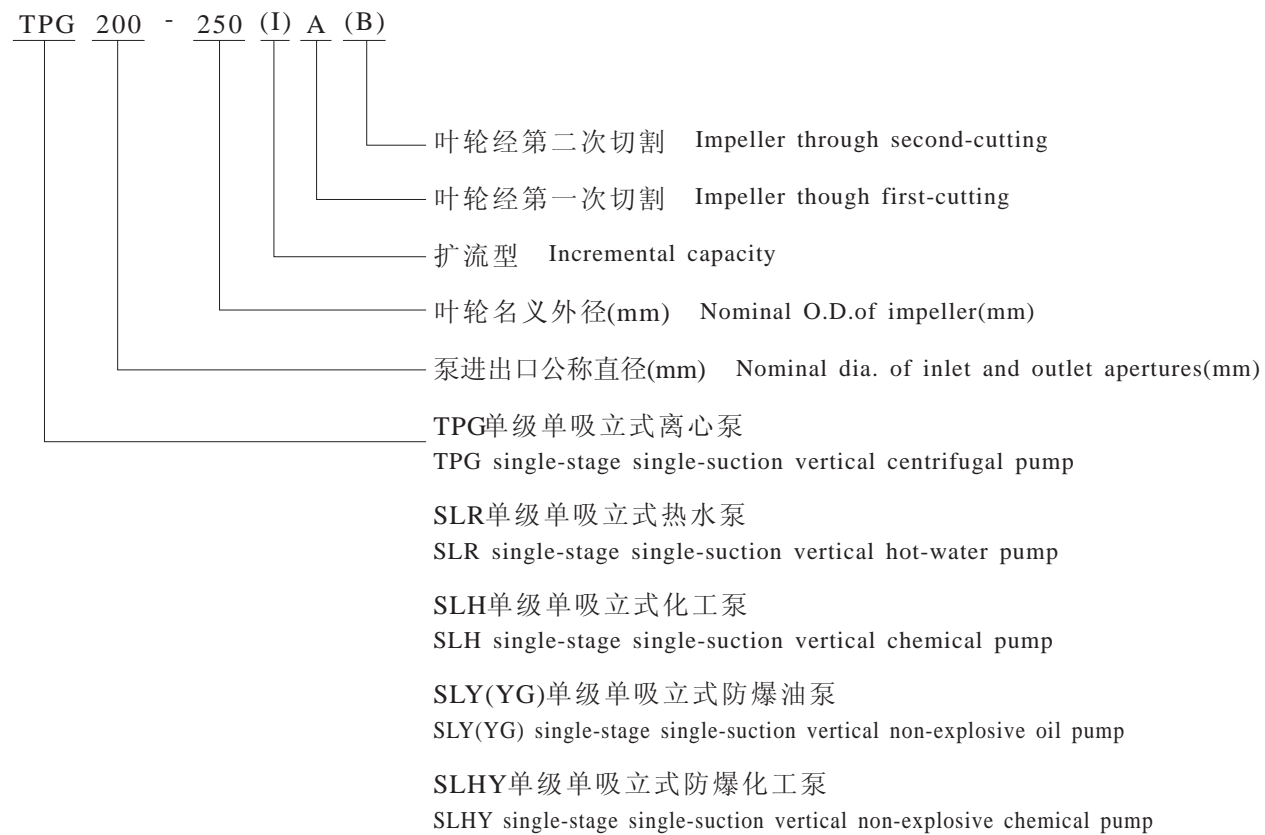
3、周围环境温度不超过 40°C ，相对湿度不超过 95% 。

1.Max.working pressure of pump system is $\leq 1.6\text{MPa}$, that is to say the pressure at the suction+the stroke $\leq 1.6\text{MPa}$,the pressure in static tests is 2.5MPa , please notify the pressure for the system at work when ordering and it should be otherwise noted of the said pressure is larger than 1.6MPa so as to use cast steel material for the over-flow and joint parts.

2.Proper medium: the medium for pure water pumps should have no corosive liquid and the volume of non-melting medium solid should not be over 0.1% of the unit volune and the graininess less than 0.2mm . Please notify at order if the medium to be used with small grain.

3.No larger than 40°C of the ambient temperature, no higher than 1000m of the above-sea level and no more than 95% of the relative humidity.

型号意义 Model meaning



主要用途 Chief usage

TPG 型立式离心泵，供输送清水及物理性质类似清水的其它液体之用。使用介质温度 80°C 以下。适用于工业和城市给排水、高层建筑增压送水、园林喷灌、消防增压、远距离输水、采暖、浴室冷热水循环增压及设备配套等。

2、SLR型立式热水泵，适用于有供热系统的民用及企事业单位的建筑住房供暖及热水增压、循环、输送等生产工艺用热系统，如：电站、热电站、余热利用、冶金、化工、纺织、木材加工、造纸等工业锅炉高温热水，使用温度 120°C 以下。

3、SLH型立式化工泵，输送不含固体颗粒具有腐蚀性其粘度类似水的液体。适用于轻纺、石油、化工、冶金、电力、造纸、食品、制药和合成纤维等部门，使用温度 $-20^\circ\text{C} \sim 120^\circ\text{C}$ 。

4、SLY(YG)型立式防爆油泵，适用于石油、轻纺、化工、机械等行业输送无腐蚀、易燃、易爆液体，被输送介质温度 $-20^\circ\text{C} \sim 120^\circ\text{C}$ 。介质密度 $\rho < 1000\text{kg/m}^3$ 。

5、SLHY型立式防爆化工泵输送不含固体颗粒具有腐蚀性其粘度类似水且易燃易爆的液体。适用于轻纺、石油、化工、冶金、矿山、制药和合成纤维等部门，使用温度 $-20^\circ\text{C} \sim 120^\circ\text{C}$ 。

1.TPG series vertical centrifugal pump is used to transport pure-water and other liquids, the physical properties of which are similar to those of pure-water,in industrial and cities'water supply and drainage, high buildings' booster water supply, gardens irrigation, fire-fighting booster, remote water supply, warming systems, circular booster of cold&hot water in bath rooms as well as in competitions of equipments, the operation medium temperature is below 80°C .

2.SLR series vertical hot-water pump is used for the warming hot-water booster circular system and the heat-transport system of production technology in the units where heat-supply systems are available, such as the power station, thermal power station, residual hest utilization, metallurgy, chemistry, textile, wood-processing, paper-making etc. industrial boilers' high-temperature hot-water,the operation temperature is below 120°C .

3.SLH series vertical chemical pump is used to transport the liquids containing no solid grain, corrosive and the viscosity of which is similar to water or the departments of light&textile industry, petroleum, chemical industry, metqallurgy, electricity, paper-making, food, medicine and synthetic ibre etc.,the operation temperature is $-20^\circ\text{C} \sim 120^\circ\text{C}$.

4.SLY(YG) series vertical non-explosive oil pump is used to light&textile, chemical, mechanical etc., industries to transport non-corrosive, flammable, explosive liquids, the medium temperature is $-20^\circ\text{C} \sim 120^\circ\text{C}$ and density pless than 1000kg/m^3 .

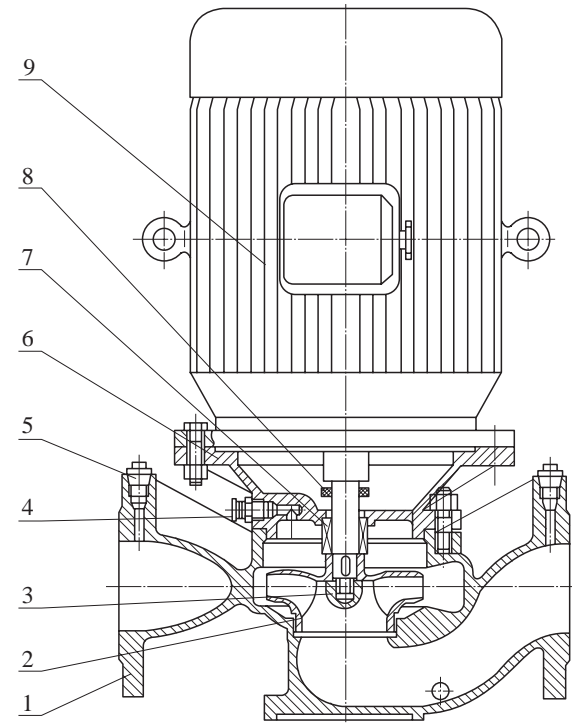
5.SLHY series vertical non-explosive chemical pump is used to transport the liquids containing no solid grain, corrosive and the viscosity of which is similar to water for the department of light&textile industry, petroleum, chemical industry, metallurgical industry, mining, medicine and synthetic fibre etc. the operation temperature is $-20^\circ\text{C} \sim 120^\circ\text{C}$.

TPG 型单级单吸立式离心泵

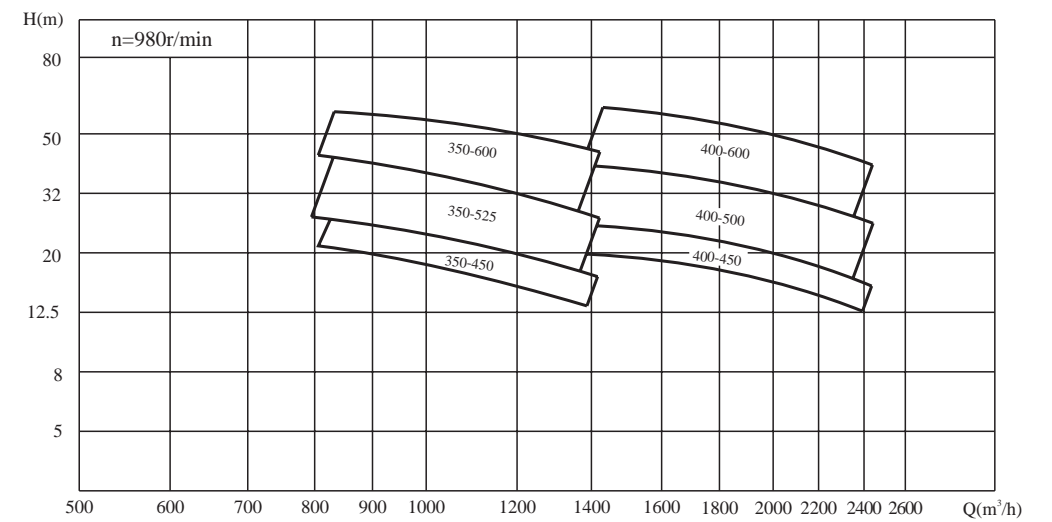
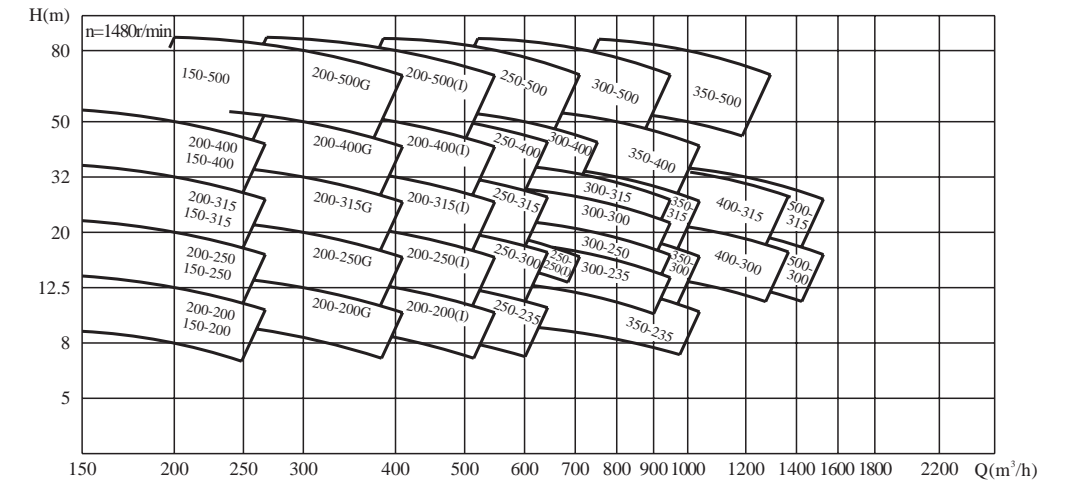
MODEL TPG SINGLE-STAGE SINGLE-SUCTION VERTICAL CENTRIFUGAL PUMP

TPG型泵结构图 The configuration of TPG type pump

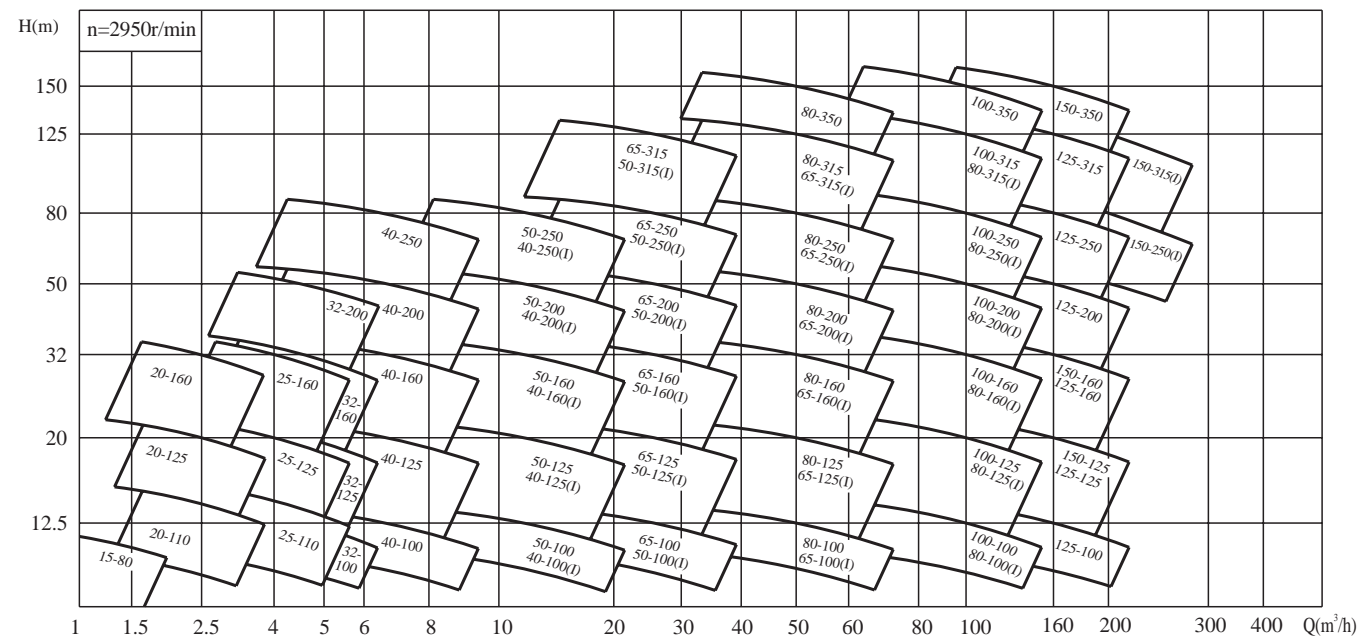
TPG型谱图 TPG atlas of style



序号 No.	名称 Name	数量 Quantity
1	泵体 Pump casing	1
2	叶轮 Impeller	1
3	叶轮螺母 Impeller nut	1
4	放气阀 Air discharge valve	1
5	螺塞 Plug	3
6	泵盖 Pump cover	1
7	机械密封 Mechanical seal	1
8	挡水圈 Water-bloching ring	1
9	电机 Motor	1



TPG型谱图 TPG atlas of style



TPG 型单级单吸立式离心泵

MODEL TPG SINGLE-STAGE SINGLE-SUCTION VERTICAL CENTRIFUGAL PUMP

TPG型泵性能参数 TPG type pump performance data

TPG型泵性能参数 TPG type pump performance data

型号 Type	流量 Capacity		扬程 Head (m)	电机 功率 Power (kW)	转速 Speed (r/min)	必需汽 蚀余量 (NPSH) _r (m)	重量 Weight (Kg)
	(m³/h)	(L/s)					
TPG15-80	1.1 1.5 2	0.3 0.42 0.56	8.5 8 7	0.18	2800	2.3	20
TPG20-110	1.8 2.5 3.3	0.5 0.69 0.91	16 15 13.5	0.37	2800	2.3	25
TPG20-125	1.8 2.5 3.3	0.5 0.69 0.91	21 20 18.6	0.75	2800	2.3	35
TPG20-160	1.8 2.5 3.3	0.5 0.69 0.91	33 32 30	1.5	2950	2.3	38
TPG25-110	2.8 4 5.2	0.78 1.11 1.44	16 15 13.5	0.55	2950	2.3	31
TPG25-125	2.8 4 5.2	0.78 1.11 1.44	20.5 20 18	0.75	2950	2.3	35
TPG25-125A	2.5 3.6 4.6	0.39 1 1.28	17 16 14.5	0.75	2950	2.3	35
TPG25-160	2.8 4 5.2	0.78 1.11 1.44	33 32 30	1.5	2950	2.3	44
TPG25-160A	2.6 3.7 4.9	0.72 1.03 1.36	29 28 26	1.1	2950	2.3	40
TPG32-100	3.5 4.5 5.3	0.97 1.24 1.47	14.5 12.5 11	0.55	2950	2.3	35
TPG32-125	3.5 5 6.5	0.97 1.39 1.8	22 20 18	1.1	2950	2.3	38
TPG32-125A	3.1 4.5 5.8	0.86 1.25 1.61	20 16 10	0.75	2950	2.3	37
TPG32-160	3.5 4.5 6	0.97 1.25 1.67	34 32 26	1.5	2950	2.3	49
TPG32-160A	3.5 4.5 6	0.97 1.25 1.67	26.5 25 19	1.1	2950	2.3	43
TPG32-200	3.5 4.5 5.5	0.97 1.25 1.53	53 50 45	3	2950	2.3	68
TPG32-200A	3 4 5	1.08 1.11 1.17	43 40 37	2.2	2950	2.3	58
TPG40-100	4.4 6.3 8.3	1.22 1.75 2.31	13.2 12.5 11.5	0.55	2950	2.3	36
TPG40-100A	3.9 5.6 7.4	1.08 1.56 2.06	10.5 10 9	0.55	2950	2.3	37
TPG40-125	4.4 6.3 8.3	1.22 1.75 2.31	21 20 18	1.1	2950	2.3	45
TPG40-125A	3.9 5.6 7.4	1.08 1.56 2.06	17.5 16 14.5	0.75	2950	2.3	38

型号 Type	流量 Capacity		扬程 Head (m)	电机 功率 Power (kW)	转速 Speed (r/min)	必需汽 蚀余量 (NPSH) _r (m)	重量 Weight (Kg)
	(m³/h)	(L/s)					
TPG40-160	4.4 6.3 8.3	1.22 1.75 2.31	33 32 30	2.2	2950	2.3	52
TPG40-160A	4.1 5.9 7.5	1.14 1.64 2.08	29 28 26.5	1.5	2950	2.3	42
TPG40-160B	3.8 5.5 7.0	1.06 1.53 1.94	25.5 24 21.5	1.1	2950	2.3	35
TPG40-200	4.4 6.3 8.3	1.22 1.75 2.31	51 50 48	4	2950	2.3	79
TPG40-200A	4.1 5.9 7.8	1.14 1.64 2.17	45 44 42	4	2950	2.3	67
TPG40-200B	3.7 5.3 7	1.03 1.47 1.94	38 36 34.5	3	2950	2.3	57
TPG40-250	4.4 6.3 8.3	1.22 1.75 2.31	82 80 74	7.5	2950	2.3	123
TPG40-250A	4.1 5.9 7.8	1.14 1.64 2.17	72 70 65	5.5	2950	2.3	115
TPG40-250B	3.8 5.5 7	1.06 1.53 1.94	61.5 60 56	5.5	2950	2.3	104
TPG40-100(I)	8.8 12.5 16.3	2.44 3.47 4.53	13.2 12.5 11.3	1.1	2950	2.3	40
TPG40-100(I)A	8 11 15	2.22 3.05 4.03	10.6 10 9	0.75	2950	2.3	38
TPG40-125(I)	8.8 12.5 16.3	2.44 3.47 4.53	21.2 20 17.5	1.5	2950	2.3	47
TPG40-125(I)A	8 11 15	2.22 3.05 4.17	17 16 14	1.1	2950	2.3	40
TPG40-160(I)	8.8 12.5 16.3	2.44 3.47 4.53	33 32 30	3	2950	2.3	67
TPG40-160(I)A	8.2 12 15.2	2.28 3.33 4.22	29 28 26	2.2	2950	2.3	56
TPG40-160(I)B	7.3 10 14	2.03 2.78 3.89	23 22 20.5	2.2	2950	2.3	53
TPG40-200(I)	8.8 12.5 16.3	2.44 3.47 4.53	51.2 50 48	5.5	2950	2.3	110
TPG40-200(I)A	8.3 11.7 15.3	2.32 3.25 4.25	45 44 42	4	2950	2.3	90
TPG40-200(I)B	7.5 10.5 13.8	2.08 2.94 3.83	37 36 34	3	2950	2.3	78
TPG40-250(I)	8.8 12.5 16.3	2.44 3.47 4.53	81.2 80 77.5	11	2950	2.3	175

型号 Type	流量 Capacity		扬程 Head (m)	电机 功率 Power (kW)	转速 Speed (r/min)	必需汽 蚀余量 (NPSH) _r (m)	重量 Weight (Kg)
	(m³/h)	(L/s)					
TPG40-250(I)A	8.2 11.6 15.2	2.28 3.22 4.22	71 70 68	11	2950	2.3	125
TPG40-250(I)B	7.6 10.8 14	2.11 3 3.89	61.4 60 58	7.5	2950	2.3	118
TPG50-100	8.8 12.5 16.3	2.44 3.47 4.53	13.5 12.5 11.3	1.1	2950	2.3	40
TPG50-100A	8 11 14.5	2.22 3.05 4.03	11 10 9	0.75	2950	2.3	38
TPG50-125	8.8 12.5 16.3	2.44 3.47 4.53	21.5 20 17.5	1.5	2950	2.3	47
TPG50-125A	8 11 14.5	2.22 3.05 4.03	17 16 14	1.1	2950	2.3	40
TPG50-160	8.8 12.5 16.3	2.44 3.47 4.53	33 32 30	3	2950	2.3	68
TPG50-160A	8.2 11.7 15.2	2.28 3.25 4.22	29 28 26	2.2	2950	2.3	58
TPG50-160B	7.3 10.4 13.5	2.38 2.89 3.75	23 22 20.5	2.2	2950	2.3	53
TPG50-200	8.8 12.5 16.3	2.44 3.47 4.53	52 50 48	5.5	2950	2.3	108
TPG50-200A	8.3 11.7 15.3	2.31 3.25 4.25	45.8 44 42	4	2950	2.3	88
TPG50-200B	7.5 10.6 13.8	2.08 2.94 3.83	37 36 34	3	2950	2.3	78
TPG50-250	8.8 12.5 16.3	2.44 3.47 4.3	82 80 77.5	11	2950	2.3	175
TPG50-250A	8.2 11.6 15.2	2.28 3.22 4.22	71.5 70 68	11	2950	2.3	125
TPG50-250B	7.6 10.8 14	2.11 3 3.89	61.5 60 58	7.5	2950	2.3	118
TPG50-100(I)	17.5 25 32.5	4.86 6.94 9.03	13.5 12.5 10.5	1.5	2950	2.5	55
TPG50-100(I)A	15.6 22.3 29	4.3 6.19 8.1	11 10 8.5	1.1	2950	2.5	48
TPG50-125(I)	17.5 25 32.5	4.86 6.94 9.08	21.5 20 18	3	2950	2.5	76
TPG50-125(I)A	15.6 22.3 29	4.33 6.19 8.1	17 16 13.6	2.2	2950	2.5	66
TPG50-160(I)	17.5 25 32.5	4.86 6.94 9.03	34.4 32 27.5	4	2950	2.5	85

型号 Type	流量 Capacity		扬程 Head (m)	电机 功率 Power (kW)	转速 Speed (r/min)	必需汽 蚀余量 (NPSH) _r (m)	重量 Weight (Kg)
	(m³/h)	(L/s)					
TPG50-160(I)A	16.4 23.4 30.4	4.56 6.5 8.44	30 28 24	4	2950	2.5	84
TPG50-160(I)B	15 21.6 28	4.17 6 7.78	26 24 20.6	3	2950	2.5	73
TPG50-200(I)	17.5 25 32.5	4.86 6.94 9.03	52.7 50 45.5	7.5	2950	2.5	146
TPG50-200(I)A	16.4 23.5 30.5	4.56 6.53 8.47	46.4 44 40	7.5	2950	2.5	144
TPG50-200(I)B	15 22 28	4.2 6.06 7.78	40 38 34	5.5	2950	2.5	136
TPG50-250(I)	18 25 33	5 6.94 9.17	82 80 76.2	15	2950	2.5	200
TPG50-250(I)A	16 23 31	4.44 6.5 8.61	71.5 70 67	15	2950	2.5	185
TPG50-250(I)B	15 22 28	4.17 6 7.78	61 60 57.4	11	2950	2.5	135
TPG50-315(I)	18 25 33	5 6.94 9.17	128 125 122	30	2950	2.5	330
TPG50-315(I)A	17 24 31	4.72 6.67 8.6	115 113 112	30	2950	2.5	270
TPG50-315(I)B	16 23 29	4.44 6.4 8	103 101 98	22	2950	2.5	230
TPG65-100	17.5 25 32.5	4.86 6.94 9.03	13.7 12.5 10.5	1.5	2950	2.5	54
TPG65-100A	15.6 22.3 29	4.93 6.19 8.1	11 10 8.4	1.1	2950	2.5	48
TPG65-125	17.5 25 32.5	4.86 6.94 9.03	21.5 20 18	3	2950	2.5	68
TPG65-125A	15.6 22.3 29	4.33 6.19 8.1	17 16 14.4	2.2	2950	2.5	58
TPG65-160	17.5 25 32.5	4.86 6.94 9.03	34.4 32 27.5	4	2950	2.5	85
TPG65-160A	16.4 23.4 30.4	4.56 6.5 8.44	30 28 24	4	2950	2.5	72
TPG65-160B	15 21.6 28	4.17 6.0 7.78	26 24 20.6	3	2950	2.5	60
TPG65-200	17.5 25 32.5	4.86 6.94 9.03	52.7 50 42.5	7.5	2950	2.5	116
TPG65-200A	16.4 23.5 30.5	4.56 6.53 8.47	46.4 44 40	7.5	2950	2.5	106

TPG 型单级单吸立式离心泵

MODEL TPG SINGLE-STAGE SINGLE-SUCTION VERTICAL CENTRIFUGAL PUMP

TPG型泵性能参数 TPG type pump performance data

型号 Type	流量 Capacity		扬程 Head (m)	电机 功率 Power (kW)	转速 Speed (r/min)	必需汽 蚀余量 (NPSH) _r (m)	重量 Weight (Kg)
	(m³/h)	(L/s)					
TPG65-200B	15.2 21.8 28.3	4.22 6.06 7.86	40 38 34.5	5.5	2950	2.5	105
TPG65-250	17.5 25 32.5	4.86 6.94 9.03	82 80 76.5	15	2950	2.5	192
TPG65-250A	16.4 23.4 30.5	4.56 6.5 8.47	71.5 70 67	15	2950	2.5	180
TPG65-250B	15 21.6 28	4.17 6 7.78	61 60 57.4	11	2950	2.5	130
TPG65-315	17.5 25 32.5	4.86 6.94 9.03	127 125 122	30	2950	2.5	340
TPG65-315A	16.6 23.7 31	4.6 6.58 8.6	115 113 110	30	2950	2.5	325
TPG65-315B	15.7 22.5 29.2	4.36 6.25 8	103 101 98	22	2950	2.5	255
TPG65-100(I)	35 50 65	9.72 13.9 18.1	13.8 12.5 10	3	2950	3	74
TPG65-100(I)A	31 45 58	8.7 12.4 16.1	11 10 8	2.2	2950	3	64
TPG65-125(I)	35 50 65	9.72 13.9 18.1	22 20 17	5.5	2950	3	116
TPG65-125(I)A	31.3 45 58	8.7 12.5 16.1	17.5 16 13.6	4	2950	3	95
TPG65-160(I)	35 50 65	9.72 13.9 18.1	35 32 28	7.5	2950	3	118
TPG65-160(I)A	32.7 47 61	9.1 13 16.9	30.6 28 24	7.5	2950	3	108
TPG65-160(I)B	30.3 43.3 56.3	8.4 12 15.6	26 24 21	5.5	2950	3	88
TPG65-200(I)	35 50 65	9.72 13.9 18.1	53.5 50 46	15	2950	3	190
TPG65-200(I)A	32.8 47 61	9.1 13.3 16.9	47 44 40	11	2950	3	180
TPG65-200(I)B	30.5 43.5 56.3	8.5 12.1 15.7	40.6 38 33.4	11	2950	3	176
TPG65-250(I)	35 50 65	9.75 13.9 18.1	83 80 72	22	2950	3	260
TPG65-250(I)A	32.5 46.7 61	9 13 16.9	73 70 63	18.5	2950	3	220
TPG65-250(I)B	30 43.3 56	8.3 12 15.6	62 60 54	15	2950	3	200
TPG65-315(I)	35 50 65	9.2 13.9 18.1	128 125 122	45	2950	3	380
TPG65-315A	32.5 46.5 60.5	9 12.9 16.8	112 110 107	37	2950	3	376
TPG65-315B	31 44.5 58	8.6 12.4 16.1	102 100 98	30	2950	3	358
TPG65-315C	29 41 53.6	8.1 11.4 14.9	87 85 83	30	2950	3	316

型号 Type	流量 Capacity		扬程 Head (m)	电机 功率 Power (kW)	转速 Speed (r/min)	必需汽 蚀余量 (NPSH) _r (m)	重量 Weight (Kg)
	(m³/h)	(L/s)					
TPG65-315(I)	35 50 65	9.72 13.9 18.1	128 125 122	45	2950	3	375
TPG65-315(I)A	33 47 61	9 12.9 16.8	112 110 107	37	2950	3	370
TPG65-315(B)	31 45 58	8.6 12.4 16.1	102 100 98	30	2950	3	350
TPG80-100	35 50 65	9.72 13.9 18.1	13.8 12.5 10	3	2950	3	74
TPG80-100A	31.3 44.7 58	8.7 12.4 16.1	11 10 8	2.2	2950	3	64
TPG80-125	35 50 65	9.72 13.9 18.1	22 20 17	5.5	2950	3	110
TPG80-125A	31.3 45 58	8.7 12.5 16.1	17.5 16 13.6	4	2950	3	90
TPG80-160	35 50 65	9.72 13.9 18.1	35 32 28	7.5	2950	3	120
TPG80-160A	32.7 46.7 61	9.1 13 16.9	30.6 28 24	7.5	2950	3	118
TPG80-160B	30.3 43.3 56.3	8.4 12 15.6	26.2 24 21	5.5	2950	3	108
TPG80-200	35 50 65	9.72 13.9 18.1	53.5 50 46	15	2950	3	186
TPG80-200A	32.8 47 61	9.1 13.1 16.9	47 44 40	11	2950	3	176
TPG80-200B	30.5 43.5 56.6	8.5 12.1 15.7	40.6 38 33.4	11	2950	3	176
TPG80-250	35 50 65	9.72 13.9 18.1	83 80 72	22	2950	3	260
TPG80-250A	32.5 46.7 61	9 13 16.9	73 70 63	18.5	2950	3	220
TPG80-250B	30 43.3 56	8.3 12 15.6	62 60 54	15	2950	3	200
TPG80-315	35 50 65	9.2 13.9 18.1	128 125 122	45	2950	3	380
TPG80-315A	32.5 46.5 60.5	9 12.9 16.8	112 110 107	37	2950	3	376
TPG80-315B	31 44.5 58	8.6 12.4 16.1	102 100 98	30	2950	3	358
TPG80-315C	29 41 53.6	8.1 11.4 14.9	87 85 83	30	2950	3	316

TPG型泵性能参数 TPG type pump performance data

型号 Type	流量 Capacity		扬程 Head (m)	电机 功率 Power (kW)	转速 Speed (r/min)	必需汽 蚀余量 (NPSH) _r (m)	重量 Weight (Kg)
	(m³/h)	(L/s)					
TPG80-350	35 50 60	9.72 13.9 13.7	156 150 140	55	2950	3	530
TPG80-350A	30.8 44 52.8	8.56 12.2 14.7	148 142 135	45	2950	3	420
TPG80-350B	28 40 46	7.78 11.1 12.8	142 135 128	37	2950	3	360
TPG80-100(I)	70 100 130	19.4 27.8 36.1	14 12.5 11	5.5	2950	4.5	118
TPG80-100(I)A	62.6 89 116	17.4 24.7 32.2	12 10 8.8	4	2950	4.5	88
TPG80-125(I)	70 100 130	19.4 27.8 36.1	23.5 20 14	11	2950	4.5	174
TPG80-125(I)A	62.6 89 116	17.4 24.7 32.2	19 16 11	7.5	2950	4.5	125
TPG80-160(I)	70 100 130	19.4 27.8 36.1	36.5 32 24	15	2950	4.5	190
TPG80-160(I)A	65.4 93.5 121	18.2 26 33.8	32 28 21	11	2950	4.5	180
TPG80-160(I)B	60.6 86.6 112	16.8 24.1 31.3	27 24 18	11	2950	4.5	176
TPG80-200(I)	70 100 130	19.4 27.8 36.1	54 50 42	22	2950	4	265
TPG80-200(I)A	65.4 93.5 121	18.2 26 33.8	47.5 44 37	18.5	2950	4	225
TPG80-200(I)B	61 87 113	16.9 24.2 31.4	41 38 32	15	2950	4	200
TPG80-250(I)	70 100 130	19.4 27.8 36.1	87 80 68	37	2950	4	320
TPG80-250(I)A	65.4 93.5 121	18.2 26 33.8	76 70 59.5	30	2950	4	300
TPG80-250(I)B	61 87 113	16.9 24.2 31.4	65 60 51	30	2950	4	258
TPG80-315(I)	70 100 130	19.4 27.8 36.1	132 125 114	75	2950	4	680
TPG80-315(I)A	66.5 95 123	18.5 26.4 34.3	119 113 103	55	2950	4	540
TPG80-315(I)B	63 90 117	17.5 25 32.5	106 101 92	55	2950	4	440
TPG80-315(I)C	58 82 107	16.1 22.8 29.7	90 85 76	37	2950	4	390
TPG100-100	70 100 130	19.4 27.8 36.1	13.6 12.5 11	5.5	2950	4.5	120

型号 Type	流量 Capacity		扬程 Head (m)	电机 功率 Power (kW)	转速 Speed (r/min)	必需汽 蚀余量 (NPSH) _r (m)	重量 Weight (Kg)
	(m³/h)	(L/s)					
TPG100-100A	62.6 89 116	17.4 24.7 32.2	11 10 8.8	4	2950	4.5	100
TPG100-125	70 100 130	19.4 27.8 36.1	23.5 20 14	11	2950	4.5	174
TPG100-125A	62.5 89 116	17.4 24.7 32.2	19 16 11	7.5	2950	4.5	125
TPG100-160	70 100 130	19.4 27.8 36.1	36.5 32 24	15	2950	4.5	185
TPG100-160A	65.4 94 121	18.2 26 33.8	32 28 21	11	2950	4.5	175
TPG100-160B	60.6 86.6 112	16.8 24.1 31.3	27 24 18	11	2950	4.5	125
TPG100-200	70 100 130	19.4 27.8 36.1	54 50 42	22	2950	4	250
TPG100-200A	65.4 93.5 121	18.2 26 33.8	47.5 44 37	18.5	2950	4	210
TPG100-200B	61 87 113	16.9 24.2 31.4	41 38 32	15	2950	4	188
TPG100-250	70 100 130	19.4 27.8 36.1	87 80 68	37	2950	4	350
TPG100-250A	65.4 93.5 121	18.2 26 33.8	76 70 59.5	30	2950	4	330
TPG100-250B	61 87 113	16.9 24.2 31.4	65 60 51	30	2950	4	270
TPG100-315	70 100 130	19.4 27.8 36.1	132 125 114	75	2950	4	680
TPG100-315A	66.5 95 123	18.5 26.4 34.3	119 113 103	55	2950	4	540
TPG100-315B	63 90 117	17.5 25 32.5	106 101 92	55	2950	4	440
TPG100-350	70 100 130	19.4 27.8 36.1	156 150 148	90	2950	4	740
TPG100-350A	64 88 113	17.8 24.4 31.1	148 142 134	75	2950	4	650
TPG100-350B	56 80 104	15.6 22.2 28.9	140 135 125	75	2950	4	510
TPG125-100	112 160 192	31.1 44.4 53.3	14 12.5 10	7.5	2950	4	207
TPG125-100A	100 143 172	27.8 39.7 47.8	12 10 8.5	7.5	2950	4	155
TPG125-125	112 160 192	31.1 44.4 53.3	22.6 20 17	15	2950	4	220

TPG 型单级单吸立式离心泵

MODEL TPG SINGLE-STAGE SINGLE-SUCTION VERTICAL CENTRIFUGAL PUMP

TPG型泵性能参数 TPG type pump performance data

TPG型泵性能参数 TPG type pump performance data

型号 Type	流量 Capacity		扬程 Head (m)	电机 功率 Power (kW)	转速 Speed (r/min)	必需汽 蚀余量 (NPSH) _r (m)	重量 Weight (Kg)
	(m³/h)	(L/s)					
TPG125-125A	100 143 172	27.8 39.7 47.8	18 16 13.6	11	2950	4	210
TPG125-160	96 160 192	26.7 44.4 53.3	36 32 28	22	2950	4	275
TPG125-160A	90 150 180	25 41.7 50	31.5 28 24.5	18.5	2950	4	235
TPG125-160B	83 138 166	23.1 38.3 46.1	27 24 21	15	2950	4	215
TPG125-200	96 160 192	26.7 44.4 53.3	55 50 46	37	2950	4	368
TPG125-200A	90 150 180	25 41.7 50	48.4 44 40.5	30	2950	4	348
TPG125-200B	83 138 166	23.1 38.3 46.1	41.3 37.5 34.5	22	2950	4	288
TPG125-250	96 160 192	26.7 44.4 53.3	87 80 73	55	2950	4	535
TPG125-250A	90 150 180	25 41.7 50	76 70 64	45	2950	4	435
TPG125-250B	83 138 166	23.1 38.3 46.1	65 60 55	37	2950	4	385
TPG125-315	96 160 192	26.7 44.4 53.3	133 125 119	90	2950	4	720
TPG125-315A	90 150 180	25 41.7 50	117 110 104	75	2950	4	620
TPG125-315B	86 143 172	23.9 39.7 47.8	106 100 95.2	75	2950	4	615
TPG150-125	112 160 192	31.1 44.4 53.3	22.8 20 17	15	2950	4	225
TPG150-125A	105 150 180	29.2 41.7 50	18.5 16 13.6	11	2950	4	215
TPG150-160	112 160 192	31.1 44.4 53	35 32 28	22	2950	4	280
TPG150-160A	105 150 180	29.2 41.7 50	31.5 28 24.5	18.5	2950	4	240
TPG150-160B	98 140 168	27.2 38.9 46.7	27 24 21	15	2950	4	220
TPG150-200	140 200 260	38.9 55.6 72.2	13.8 12.5 10.6	15	1480	3	265
TPG150-200A	125 179 232	34.7 49.7 64.6	11.5 10 8.5	11	1480	3	250
TPG150-200B	111.7 160 207.4	31 44.4 57.6	9.2 8 6.8	7.5	1480	3	235
TPG150-250	140 200 260	38.9 55.6 72.2	21.8 20 17	18.5	1480	3	338

型号 Type	流量 Capacity		扬程 Head (m)	电机 功率 Power (kW)	转速 Speed (r/min)	必需汽 蚀余量 (NPSH) _r (m)	重量 Weight (Kg)
	(m³/h)	(L/s)					
TPG150-250A	129 184 240	35.8 51.2 66.7	18.5 17 14.4	15	1480	3	300
TPG150-250B	117 167 217	32.5 46.4 60.4	15.2 14 12	11	1480	3	280
TPG150-250(I)	120 200 240	33.3 55.6 66.7	87 80 72	75	2950	4.5	725
TPG150-250(I)A	112 187 224	31.1 51.9 62.2	76 70 63	55	2950	4.5	585
TPG150-250(I)B	104 173 208	26.9 48.1 57.8	65 60 54	45	2950	4.5	485
TPG150-315	140 200 260	38.9 55.6 72.2	33.8 32 28	30	1450	3.5	440
TPG150-315A	131 187 243	36.4 51.9 67.5	29.5 28 24.5	22	1480	3.5	360
TPG150-315B	121 173 225	33.6 48.1 62.3	25 24 21	18.5	1480	3.5	350
TPG150-315(I)	120 200 240	33.3 55.6 66.7	133 125 120	110	2950	4.5	980
TPG150-315(I)A	112 187 224	31.1 51.9 62.2	116 110 105	90	2950	4.5	730
TPG150-315(I)B	104 173 208	28.9 48.1 57.8	100 95 91	75	2950	4.5	710
TPG150-350	112 160 192	31.1 44.4 53.3	160 150 138	110	2950	4.5	990
TPG150-350A	105 150 180	29.2 41.7 50	152 142 130	110	2950	4.5	740
TPG150-350B	98 140 168	27.2 38.9 46.7	110 101 90	75	2950	4.5	720
TPG150-400	140 200 260	38.9 55.6 72.2	53 50 44	45	1480	3.5	520
TPG150-400A	131 187 243	36.4 51.9 67.5	46.6 44 38.3	37	1480	3.5	480
TPG150-400B	122 174 226	33.9 48.3 62.9	40 38 33	30	1480	3.5	470
TPG150-400C	112 160 200	31.1 44.4 55.5	34 32 28	22	1480	3.5	390
TPG150-500	140 200 240	38.9 55.6 66.7	85 80 75	75	1480	4	680
TPG150-500A	131 187 224	36.4 51.9 62.3	74 70 65	75	1480	4	680
TPG150-500B	121 173 208	33.6 48.1 57.7	64 60 55.5	55	1480	4	630
TPG200-200	140 200 260	38.9 55.6 72.2	13.8 12.8 10.6	15	1480	3	385
TPG200-200A	125 179 232	34.7 49.7 64.6	11 10 8.5	11	1480	3	365

型号 Type	流量 Capacity		扬程 Head (m)	电机 功率 Power (kW)	转速 Speed (r/min)	必需汽 蚀余量 (NPSH) _r (m)	重量 Weight (Kg)
	(m³/h)	(L/s)					
TPG200-250	140 200 260	38.9 55.6 72.2	21.8 20 17	18.5	1480	3	420
TPG200-250A	129 184 240	35.8 51.2 66.7	18.5 17 14.4	15	1480	3	385
TPG200-250B	117 167 217	32.5 46.4 60.4	15.2 14 12	11	1480	3	365
TPG200-315	140 200 260	38.9 55.6 72.2	33.8 32 28	30	1480	3.5	550
TPG200-315A	131 187 243	36.4 51.9 67.5	29.5 28 24.5	22	1480	3.5	460
TPG200-315B	121 173 225	33.6 48.1 62.5	25.5 24 20.5	18.5	1480	3.5	440
TPG200-400	140 200 260	38.9 55.6 72.2	53 50 46	45	1480	3.5	590
TPG200-400A	131 187 243	36.4 51.9 67.5	46.6 44 38.3	37	1480	3.5	550
TPG200-400B	122 174 226	33.9 48.3 62.9	40 38 33	30	1480	3.5	520
TPG200-400C	112 160 208	31.3 44.4 57.8	34 32 28	22	1480	3.5	490
TPG200-200G	210 300 360	58.3 83.3 100	13.4 12.5 10.5	18.5	1480	4	380
TPG200-200GA	196 280 336	54.4 77.8 93.3	10.3 10 8.5	15	1480	4	346
TPG200-250G	210 300 360	58.3 83.3 100	22.2 20 14	22	1480	4	405
TPG200-250GA	196 280 336	54.4 77.8 93.3	18 16 11.2	18.5	1480	4	380
TPG200-250GB	182 262 312	50.6 72.8 86.7	14.6 13 9	15	1480	4	346
TPG200-315G	210 300 360	58.3 83.3 100	36 32 26	45	1480	4	600
TPG200-315GA	196 280 336	54.4 77.8 93.3	31.5 28 23	37	1480	4	560
TPG200-315GB	182 262 312	50.6 72.8 86.7	27 24 19.5	30	1480	4	505
TPG200-400G	210 300 360	58.3 83.3 100	54.5 50 39	75	1480	4	800
TPG200-400GA	196 280 336	54.4 77.8 93.3	48 44 34	55	1480	4	708
TPG200-400GB	182 262 312	50.6 72.8 86.7	41.4 38 29.6	45	1480	4	600
TPG200-400GC	171 245 294	47.5 68.1 81.7	34.9 32 25	37	1480	4	600
TPG200-500G	210 300 360	58.3 83.3 100	85 80 73	110	1480	4.5	1230
TPG200-500GA	196 280 336	54.4 77.8 93.3	74 70 64	90	1480	4.5	906
TPG200-500GB	182 262 312	50.6 72.8 86.7	64 60 54	75	1480	4.5	816

型号 Type	流量 Capacity		扬程 Head (m)	电机 功率 Power (kW)	转速 Speed (r/min)	必需汽 蚀余量 (NPSH) _r (m)	重量 Weight (Kg)
	(m³/h)	(L/s)					
TPG200-500GC	171 245 294	47.5 68.1 81.7	56 52 48	55	1480	4.5	780
TPG200-200(I)	280 400 520	77.8 111 144	13.4 12.5 10.5	22	1480	4	430
TPG200-200(I)A	250 358 465	69.4 99.4 129	11.2 10 8.5	18.5	1480	4	415
TPG200-250(I)	280 400 520	77.8 111 144	22.2 20 14	30	1480	4	500
TPG200-250(I)A	250 358 465	69.4 99.4 129	18 16 11.2	22	1480	4	410
TPG200-250(I)B	226 322 419	62.8 89.4 116	14.4 13 7.3	18.5	1480	4	400
TPG200-315(I)	280 400 520	77.8 111 144	36 32 26	55	1480	4	720
TPG200-315(I)A	262 374 486	72.8 103 135	31.5 28 23	45	1480	4	620
TPG200-315(I)B	242 346 450	67.2 96.1 125	27 24 19.5	37	1480	4	570
TPG200-400(I)	280 400 520	77.8 111 144	54.5 50 39	90	1480	4	960
TPG200-400(I)A	262 374 486	72.8 103 135	48 44 34	75	1480	4	850
TPG200-400(I)B	242 346 450	67.2 96.1 125	41.4 38 29.6	55	1480	5	710
TPG200-400(I)C	224 320 416	62.2 88.9 115	34.9 32 25	45	1480	5	605
TPG200-500(I)	280 400 520	77.8 111 144	85 80 70	132	1480	4	1250
TPG200-500(I)A	262 374 486	72.8 103 135	74.4 70 61.2	110	1480	4	1160
TPG200-500(I)B	242 346 450	67.2 96.1 125	63.8 60 52.5	90	1480	4	1050
TPG200-500(I)C	224 320 416	62.2 88.9 115	53.2 50 43.8	75	1480	4	906
TPG250-250	105 150 180	29.2 41.7 50	21.8 20 18.1	15	1480	4.5	599
TPG250-250(I)	400 550 670	111 153 186	22 20 16	45	1480	5.5	740
TPG250-250(I)A	350 500 600	97.2 138 166.7	19 17 14.5	37	1480	5.5	700
TPG250-235	350 500 600	97.2 138 166.7	14 12.5 10	22	1480	5.5	600
TPG250-300	350 500 600	97.2 138 166.7	22 20 17.5	37	1480	5.5	600
TPG250-315	350 500 600	97.2 138 166.7	35 32 27	75	1480	5.5	1100
TPG250-315A	350 500 600	97.2 138 166.7	31.5 28 23	55	1480	5.5	950
TPG250-315B	350 450 540	97.2 125 150	26.5 24 20	45	1480	5.5	850

TPG 型单级单吸立式离心泵

MODEL TPG SINGLE-STAGE SINGLE-SUCTION VERTICAL CENTRIFUGAL PUMP

TPG型泵性能参数 TPG type pump performance data

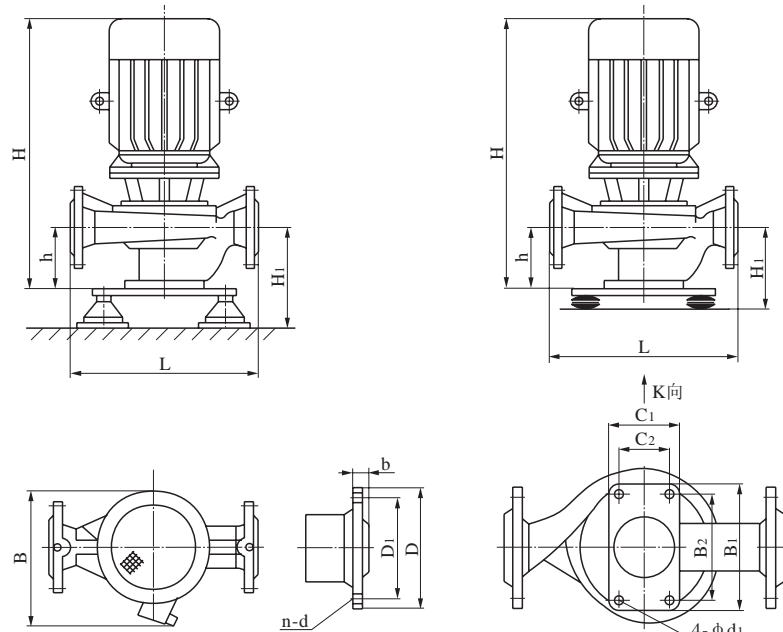
型号 Type	流量 Capacity		扬程 Head (m)	电机 功率 Power (kW)	转速 Speed (r/min)	必需汽 蚀余量 (NPSH) _r (m)	重量 Weight (Kg)
	(m³/h)	(L/s)					
TPG250-400	350	97.2	54	90	1480	5.5	1160
	500	138	50				
	600	166.7	41.5				
TPG250-400A	250	69.4	47.5	90	1480	5.5	1050
	470	130.6	44				
	564	156.7	36.5				
TPG250-400B	232	64.4	41	75	1480	5.5	960
	437	121.4	38				
	524	145.6	31.5				
TPG250-500	385	106.9	87	160	1480	5.5	1250
	550	152.8	80				
	660	183.3	68				
TPG250-500A	357	99.2	76.1	132	1480	5.5	1160
	510	141.7	70				
	612	170	59.5				
TPG250-500B	329	91.4	65.2	110	1480	5.5	1050
	470	130.6	60				
	564	156.7	51				
TPG250-500C	301	83.6	54.3	90	1480	5.5	940
	430	119.4	50				
	516	143.3	42.5				
TPG300-235	540	150	20.5	55	1480	5	1075
	720	200	18				
	900	250	15				
TPG300-235A	450	125	17.2	45	1480	5	970
	600	166	15				
	720	200	12.5				
TPG300-235B	420	116.7	14.3	37	1480	5	925
	540	150	12.8				
	650	181	10.5				
TPG300-250	540	150	22.5	55	1480	6	1085
	720	200	20				
	900	250	17				
TPG300-250A	450	136	19.5	45	1480	6	980
	600	166	17				
	720	200	14				
TPG300-300	540	150	32	75	1480	5	1230
	720	200	28				
	900	250	23				
TPG300-300A	450	125	27.5	55	1480	5	1095
	600	166	24				
	720	200	20				
TPG300-300B	420	116.7	24	45	1480	5	982
	540	150	21				
	650	181	17				
TPG300-315	540	150	35	90	1480	4.5	1350
	720	200	32				
	900	250	26				
TPG300-315A	460	127.8	31.5	75	1480	4.5	1240
	650	180	28				
	800	222	23.5				
TPG300-315B	420	116.7	27	55	1480	4.5	1100
	580	161	24				
	700	194	20				
TPG300-400	450	125	55	110	1480	5	1500
	600	166	50				
	720	200	42.5				
TPG300-400A	420	116.7	45	90	1480	5	1255
	540	150	40				
	650	181	35				
TPG300-390	540	150	20.5	55	1480	5	1300
	720	200	18				
	900	250	15.5				
TPG300-390A	450	126	17.2	45	1480	5	1220
	600	167	15				
	720	200	12.8				
TPG300-390B	400	111	14	30	1480	5	1100
	540	150	12.5				
	650	180	10.5				
TPG300-500	540	150	85	250	1480	5.5	1685
	720	200	80				
	900	250	70				

型号 Type	流量 Capacity		扬程 Head (m)	电机 功率 Power (kW)	转速 Speed (r/min)	必需汽 蚀余量 (NPSH) _r (m)	重量 Weight (Kg)
	(m³/h)	(L/s)					
TPG300-500A	506	140.6	74.4	200	1480	5.5	1565
	675	187.5	70				
	844	234.4	61.2				
TPG300-500B	468	130	63.8	160	1480	5.5	1472
	625	173.6	60				
	780	216.7	52.5				
TPG300-500C	425	118	53.2	110	1480	5.5	1345
	570	158.3	50				
	710	197.2	43.8				
TPG350-235	600	167	14	37	1480	4.5	1050
	800	222	12.5				
	960	267	10.5				
TPG350-300	600	167	22.5	75	1480	4.5	1230
	800	222	20				
	960	267	17.5				
TPG350-315	600	167	35.5	90	1480	4.5	1650
	800	222	32				
	960	267	28.5				
TPG350-400	600	167	55	160	1480	4.5	1950
	800	222	50				
	960	267	45.5				
TPG350-450	900	250	23	90	980	6	1300
	1200	333.3	20				
	1400	389	16				
TPG350-450A	850	236.1	20	75	980	6	1200
	1120	311.1	17				
	1300	361.1	13				
TPG350-525	900	250	35	160	980	6	1850
	1200	333.3	32				
	1400	389	25				
TPG350-525A	850	236.1	31	132	980	6	1740
	1120	311.1	28				
	1300	361.1	23				
TPG350-525B	780	216.1	27	110	980	6	1600
	1050	291.7	24				
	1200	333.3	19				
TPG350-600	900	250	53	250	980	6.5	2750
	1200	333.3	50				
	1400	389	44				
TPG350-600A	850	236.1	46	200	980	6.5	2500
	1120	311.1	44				
	1300	361.1	36				
TPG350-600B	780	216.7	40	160	980	6.5	2450
	1050	291.7	38				
	1200	333.3	33				
TPG400-300	820	228	23	90	1480	6	1450
	1080	300	20				
	1300	361	16				
TPG400-315	820	228	36.5	132	1480	6	1740
	1080	300	32				
	1300	361	27				
TPG400-450	1500	416.7	23	160	980	6.5	2420
	2000	555.6	20				
	2400	666.7	15				
TPG400-450A	1400	388.9	20	132	980	6.5	1940
	1860	516.7	17				
	2250	625	14				
TPG400-500	1500	416.7	34	250	980	6.5	2980
	2000	555.6	32				
	2400	666.7	27				
TPG400-500A	1400	388.9	30	200	980	6.5	2840
	1860	516.7	28				
	2240	625	24				
TPG400-500B	1300	361.1	26	160	980	6.5	2710
	1750	486.4	24				
	2100	583.3	21				
TPG500-300	1000	277.8	23	110	1480	6	1800
	1200	333	20				
	1450	403	16				
TPG500-315	1000	277.8	34.5	160	1480	6	2070
	1200	333	32				
	1450	403	27				

TPG 型单级单吸立式离心泵

MODEL TPG SINGLE-STAGE SINGLE-SUCTION VERTICAL CENTRIFUGAL PUMP

TPG型泵安装尺寸图 TPG type pump dimension figure



法兰尺寸 Flange dimensions				
DN	D	D1	n-d	b
25	115	85	4-14	16
32	140	100	4-19	18
40	150	110	4-19	18
50	165	125	4-19	20
65	185	145	4-19	20
80	200	160	8-19	22
100	220	180	8-19	24
125	250	210	8-19	26
150	285	240	8-23	26
200	340	295	12-23	30
250	405	355	12-28	32
300	460	410	12-28	32
350	520	470	16-28	36
400	580	525	16-31	38
500	715	650	20-34	42

TPG型泵安装尺寸表 TPG type pump dimension table

型号 Type	外形尺寸 Figure dimensions				底脚尺寸 Foot dimensions				隔振装置及安装尺寸 Isolation selection and installing dimensions						
									隔振垫 Vibration isolated pad		隔振器 Vibration isolator		联接板 Connection board		
	L	B	H	h	DN	d1	B1	C1	B2	C2	型号 Type	H1	型号 Type	H1	型号 Type
15-80	180	133.5	333	40	G1/2	12	90	65	70	45	SD41-0.5	60	-	-	-
20-110	260	152.5	382	70	G3/4	12	110	80	80	50	SD41-0.5	90	-	-	-
20-125	260	237.5	425	70	G3/4	12	110	80	80	50	SD41-0.5	90	-	-	-
20-160	300	257.5	420	65	G3/4	12	130	90	100	60	SD41-0.5	85	-	-	-
25-110	260	152.5	377	65	25	12	110	80	80	50	SD41-0.5	85	-	-	-
25-125	260	212.5	427	70	25	12	110	80	80	50	SD41-0.5	90	-	-	-
25-125A	260	212.5	427	70	25	12	110	80	80	50	SD41-0.5	90	-	-	-
25-160	300	257.5	440	70	25	12	130	90	100	60	SD41-0.5	90	-	-	-
25-160A	300	237.5	430	70	25	12	130	90	100	60	SD41-0.5	90	-	-	-
32-100	260	152.5	397	80	32	12	130	90	100	60	SD41-0.5	100	-	-	-
32-125	260	237.5	440	80	32	12	130	90	100	60	SD41-0.5	100	-	-	-
32-125A	260	237.5	440	80	32	12	130	90	100	60	SD41-0.5	100	-	-	-
32-160	320	257.5	450	80	32	14	150	100	120	70	SD41-0.5	155	-	-	SLS-1
32-160A	320	237.5	440	80	32	14	150	100	120	70	SD41-0.5	155	-	-	SLS-1
32-200	340	287.5	531	90	32	14	160	110	130	80	SD41-0.5	165	-	-	SLS-2
32-200A	340	257.5	506	90	32	14	160	110	130	80	SD41-0.5	165	-	-	SLS-2
40-100	260	152.5	397	80	40	14	150	100	120	70	SD41-0.5	155	-	-	SLS-1
40-100A	260	152.5	397	80	40	14	150	100	120	70	SD41-0.5	155	-	-	SLS-1
40-125	280	237.5	447	85	40	14	150	100	120	70	SD41-0.5	160	-	-	SLS-1

TPG型泵安装尺寸表 TPG type pump dimension table

型号 Type	外形尺寸 Figure dimensions				底脚尺寸 Foot dimensions				隔振装置及安装尺寸 Isolation selection and installing dimensions						
									隔振垫 Vibration isolated pad		隔振器 Vibration isolator		联接板 Connection board		
	L	B	H	h	DN	d1	B1	C1	B2	C2	型号 Type	H1	型号 Type	H1	型号 Type
40-125A	280	237.5	447	85	40	14	150	100	120	70	SD41-0.5	160	-	-	SLS-1
40-160	320	257.5	487	85	40	14	150	100	120	70	SD41-0.5	160	-	-	SLS-1
40-160A	320	257.5	457	85	40	14	150	100	120	70	SD41-0.5	160	-	-	SLS-1
40-160B	320	237.5	447	85	40	14	150	100	120	70	SD41-0.5	160	-	-	SLS-1
40-200	340	310	558	95	40	14	170	120	130	80	SD41-0.5	170	-	-	SLS-2
40-200A	340	310	558	95	40	14	170	120	130	80	SD41-0.5	170	-	-	SLS-2
40-200B	340	287.5	538	95	40	14	170	120	130	80	SD41-0.5	170	-	-	SLS-2
40-250	400	347.5	620	95	40	14	170	120	130	80	SD41-0.5	170	JG1-2	193	SLS-2
40-250A	400	347.5	620	95	40	14	170	120	130	80	SD41-0.5	170	JG1-2	193	SLS-2
40-250B	400	347.5	620	95	40	14	170	120	130	80	SD41-0.5	170	JG1-2	193	SLS-2
40-100(I)	290	237.5	455	95	40	14	150	100	120	70	SD41-0.5	170	-	-	SLS-1
40-100(I)A	290	237.5	455	95	40	14	150	100	120	70	SD41-0.5	170	-	-	SLS-1
40-125(I)	300	257.5	474	100	40	14	150	100	120	70	SD41-0.5	175	-	-	SLS-1
40-125(I)A	300	237.5	464	100	40	14	150	100	120	70	SD41-0.5	175	-	-	SLS-1
40-160(I)	320	287.5	545	100	40	14	170	120	130	80	SD41-0.5	175	-	-	SLS-2
40-160(I)A	320	257.5	510	100	40	14	170	120	130	80	SD41-0.5	175	-	-	SLS-2
40-160(I)B	320	257.5	510	100	40	14	170	120	130	80	SD41-0.5	175	-	-	SLS-2
40-200(I)	380	247.5	620	100	40	14	170	120	130	80	SD41-0.5	175	JG1-2	198	SLS-2
40-200(I)A	380	310	565	100	40	14	170	120	130	80	SD41-0.5	175	-	-	SLS-2
40-200(I)B	380	287.5	545	100	40	14	170	120	130	80	SD41-0.5	175	-	-	SLS-2
40-250(I)	440	432.5	732	100	40	18	200	140	160	100	SD41-0.5	185	JG2-2	220	SLS-3
40-250(I)A	440	432.5	732	100	40	18	200	140	160	100	SD41-0.5	185	JG2-2	220	SLS-3
40-250(I)B	440	347.5	632	100	40	18	200	140	160	100	SD41-0.5	185	JG2-2	220	SLS-3
50-100	290	237.5	460	95	50	14	150	100	120	70	SD41-0.5	170	-	-	SLS-1
50-100A	290	237.5	460	95	50	14	150	100	120	70	SD41-0.5	170	-	-	SLS-1
50-125	300	257.5	475	100	50	14	150	100	120	70	SD41-0.5	175	-	-	SLS-1
50-125A	300	237.5	465	100	50	14	150	100	120	70	SD41-0.5	175	-	-	SLS-1
50-160	320	287.5	545	100	50	14	160	110	130	80	SD41-0.5	175	-	-	SLS-2
50-160A	320	257.5	510	100	50	14	160	110	130	80	SD41-0.5	175	-	-	SLS-2
50-160B	320	257.5	510	100	50	14	160	110	130	80	SD41-0.5	175	-	-	SLS-2
50-200	380	347.5	620	100	50	14	160	110	130	80	SD41-0.5	175	JG1-2	198	SLS-2
50-200A	380	310	565	100	50	14	160	110	130	80	SD41-0.5	175	-	-	SLS-2
50-200B	380	287.5	545	100	50	14	160	110	130	80	SD41-0.5	175	-	-	SLS-2
50-250	440	432.5	732	100	50	18	200	140	160	100	SD41-0.5	175	JG2-2	220	SLS-3
50-250A	440	432.5	732	100	50	18	200	140	160	100	SD41-0.5	175	JG2-2	220	SLS-3
50-250B	440	347.5	632	100	50	18	200	140	160	100	SD41-0.5	175	JG2-2	220	SLS-3
50-100(I)	305	257.5	485	100	50	18	200	140	160	100	SD41-0.5	175	-	-	SLS-3
50-100(I)A	305	237.5	475	100	50	18	200	140	160	100	SD41-0.5	175	-	-	SLS-3
50-125(I)	340	287.5	545	105	50	18	200	140	160	100	SD41-0.5	180	-	-	SLS-3

TPG 型单级单吸立式离心泵

TPG型泵安装尺寸表 TPG type pump dimension table

型号 Type	外形尺寸 Figure dimensions					底脚尺寸 Foot dimensions					隔振装置及安装尺寸 Isolation selection and installing dimensions				
											隔振垫 Vibration isolated pad		隔振器 Vibration isolator		联接板 Connection board
	L	B	H	h	DN	d1	B1	C1	B2	C2	型号 Type	H1	型号 Type	H1	型号 Type
50-125(I)A	340	287.5	520	105	φ50	φ18	200	140	160	100	SD41-0.5	180	-	-	SLS-3
50-160(I)	360	310	567	105	φ50	φ18	200	140	160	100	SD41-0.5	180	-	-	SLS-3
50-160(I)A	360	310	567	105	φ50	φ18	200	140	160	100	SD41-0.5	180	-	-	SLS-3
50-160(I)B	360	287.5	547	105	φ50	φ18	200	140	160	100	SD41-0.5	180	-	-	SLS-3
50-200(I)	380	347.5	635	115	φ50	φ18	200	140	160	100	SD41-1	185	JG2-2	230	SLS-3
50-200(I)A	380	347.5	635	115	φ50	φ18	200	140	160	100	SD41-1	185	JG2-2	230	SLS-3
50-200(I)B	380	347.5	635	115	φ50	φ18	200	140	160	100	SD41-1	185	-	-	SLS-3
50-250(I)	480	432.5	755	120	φ50	φ18	220	160	180	120	SD41-1	195	JG2-2	240	SLS-4
50-250(I)A	480	432.5	755	120	φ50	φ18	220	160	180	120	SD41-1	195	JG2-2	240	SLS-4
50-250(I)B	480	432.5	755	120	φ50	φ18	220	160	180	120	SD41-1	195	JG2-2	240	SLS-4
50-315(I)	550	525	935	130	φ50	φ18	220	160	180	120	SD41-1.5	205	JG2-2	250	SLS-4
50-315(I)A	550	525	935	130	φ50	φ18	220	160	180	120	SD41-1.5	205	JG2-2	250	SLS-4
50-315(I)B	550	475	830	130	φ50	φ18	220	160	180	120	SD41-1.5	205	JG2-2	250	SLS-4
65-100	320	257.5	485	105	φ65	φ18	200	140	160	100	SD41-0.5	175	-	-	SLS-3
65-100A	320	237.5	475	105	φ65	φ18	200	140	160	100	SD41-0.5	175	-	-	SLS-3
65-125	340	287.5	545	105	φ65	φ18	200	140	160	100	SD41-0.5	180	-	-	SLS-3
65-125A	340	257.5	520	105	φ65	φ18	200	140	160	100	SD41-0.5	180	-	-	SLS-3
65-160	360	310	567	105	φ65	φ18	200	140	160	100	SD41-0.5	180	-	-	SLS-3
65-160A	360	310	567	105	φ65	φ18	200	140	160	100	SD41-0.5	180	-	-	SLS-3
65-160B	360	287.5	547	105	φ65	φ18	200	140	160	100	SD41-0.5	180	-	-	SLS-3
65-200	380	347.5	635	110	φ65	φ18	200	140	160	100	SD61-0.5	185	JG2-2	230	SLS-3
65-200A	380	347.5	635	110	φ65	φ18	200	140	160	100	SD61-0.5	185	JG2-2	230	SLS-3
65-200B	380	347.5	635	110	φ65	φ18	200	140	160	100	SD61-0.5	185	JG2-2	230	SLS-3
65-250	480	432.5	755	120	φ65	φ18	220	160	180	120	SD61-1	195	JG2-2	240	SLS-4
65-250A	480	432.5	755	120	φ65	φ18	220	160	180	120	SD61-1	195	JG2-2	240	SLS-4
65-250B	480	432.5	755	120	φ65	φ18	220	160	180	120	SD61-0.5	195	JG2-2	240	SLS-4
65-315	550	525	935	130	φ65	φ18	220	160	180	120	SD61-1.5	205	JG2-2	250	SLS-4
65-315A	550	525	935	130	φ65	φ18	220	160	180	120	SD61-1.5	205	JG2-2	250	SLS-4
65-315B	550	475	830	130	φ65	φ18	220	160	180	120	SD61-1	205	JG2-2	250	SLS-4
65-100(I)	400	287.5	585	120	φ65	φ18	200	140	160	100	SD61-0.5	195	-	-	SLS-3
65-100(I)A	400	257.5	550	120	φ65	φ18	200	140	160	100	SD61-0.5	195	-	-	SLS-3
65-125(I)	400	347.5	650	130	φ65	φ18	200	140	160	100	SD61-1	205	JG2-2	250	SLS-3
65-125(I)A	400	310	595	130	φ65	φ18	200	140	160	100	SD61-0.5	205	-	-	SLS-3
65-160(I)	400	347.5	650	120	φ65	φ18	200	140	160	100	SD61-1	195	JG2-2	240	SLS-3
65-160(I)A	400	347.5	650	120	φ65	φ18	200	140	160	100	SD61-0.5	195	JG2-2	240	SLS-3
65-160(I)B	400	347.5	650	120	φ65	φ18	200	140	160	100	SD61-0.5	195	JG2-2	240	SLS-3
65-200(I)	430	432.5	765	125	φ65	φ18	200	140	160	100	SD61-1	200	JG2-2	245	SLS-3
65-200(I)A	430	432.5	765	125	φ65	φ18	200	140	160	100	SD61-1	200	JG2-2	245	SLS-3
65-200(I)B	430	432.5	765	125	φ65	φ18	200	140	160	100	SD61-1	200	JG2-2	245	SLS-3

MODEL TPG SINGLE-STAGE SINGLE-SUCTION VERTICAL CENTRIFUGAL PUMP

TPG型泵安装尺寸表 TPG type pump dimension table

型号 Type	外形尺寸 Figure dimensions					底脚尺寸 Foot dimensions					隔振装置及安装尺寸 Isolation selection and installing dimensions				
											隔振垫 Vibration isolated pad		隔振器 Vibration isolator		联接板 Connection board
	L	B	H	h	DN	d1	B1	C1	B2	C2	型号 Type	H1	型号 Type	H1	型号 Type
65-250(I)	480	475	835	130	φ65	φ18	220	160	180	120	SD61-1.5	205	JG2-2	250	SLS-4
65-250(I)A	480	432.5	815	130	φ65	φ18	220	160	180	120	SD61-1.5	205	JG2-2	250	SLS-4
65-250(I)B	480	432.5	770	130	φ65	φ18	220	160	180	120	SD61-1	205	JG2-2	250	SLS-4
65-315(I)	580	582.5	1080	140	φ65	φ22	280	200	220	160	SD61-1.5	215	JG3-2	282	SLS-6
65-315(I)A	580	525	1030	140	φ65	φ22	280	200	220	160	SD61-1	215	JG3-2	282	SLS-6
65-315(I)B	580	525	955	140	φ65	φ22	280	200	220	160	SD61-1	215	JG3-2	282	SLS-6
80-100	400	287.5	580	125	φ80	φ18	200	140	160	100	SD61-0.5	200	-	-	SLS-3
80-100A	400	257.5	545	125	φ80	φ18	200	140	160	100	SD61-0.5	200	-	-	SLS-3
80-125	400	347.5	650	130	φ80	φ18	200	140	160	100	SD61-0.5	205	JG2-2	250	SLS-3
80-125A	400	310	605	130	φ80	φ18	200	140	160	100	SD61-0.5	205	JG2-2	250	SLS-3
80-160	400	347.5	660	120	φ80	φ18	200	140	160	100	SD61-1	195	JG2-2	240	SLS-3
80-160A	400	347.5	660	120	φ80	φ18	200	140	160	100	SD61-1	195	JG2-2	240	SLS-3
80-160B	400	347.5	660	120	φ80	φ18	200	140	160	100	SD61-0.5	195	JG2-2	240	SLS-3
80-200	430	432.5	765	125	φ80	φ18	200	140	160	100	SD61-1	200	JG2-2	245	SLS-3
80-200A	430	432.5	765	125	φ80	φ18	200	140	160	100	SD61-1	200	JG2-2	245	SLS-3
80-200B	430	432.5	765	125	φ80	φ18	200	140	160	100	SD61-1	200	JG2-2	245	SLS-3
80-250	480	475	835	130	φ80	φ18	220	160	180	120	SD61-1	205	JG2-2	250	SLS-4
80-250A	480	432.5	815	130	φ80	φ18	220	160	180	120	SD61-1	205	JG2-2	250	SLS-4
80-250B	480	432.5	770	130	φ80	φ18	220	160	180	120	SD61-1	205	JG2-2	250	SLS-4
80-315	580	582.5	1085	140	φ80	φ22	280	220	220	160	SD61-1.5	215	JG3-2	282	SLS-6
80-315A	580	525	1030	140	φ80	φ22	280	220	220	160	SD61-1	215	JG3-2	282	SLS-6
80-315B	580	525	1030	140	φ80	φ22	280	220	220	160	SD61-1	215	JG3-2	282	SLS-6
80-315C	580	525	1030	140	φ80	φ22	280	220	220	160	SD61-1	215	JG3-2	282	SLS-6
80-350	650	642.5	1210	165	φ80	φ22	280	200	220	160	SD61-1.5	240	JG3-2	307	SLS-6
80-350A	650	582.5	1110	165	φ80	φ22	280	200	220	160	SD61-1.5	240	JG3-2	307	SLS-6
80-350B	650	525	1005	165	φ80	φ22	280	200	220	160	SD61-1.5	240	JG3-2	307	SLS-6
80-100(I)	460	347.5	658	130	φ80	φ18	220	160	180	120	SD61-1	205	JG2-2	250	SLS-4
80-100(I)A	460	310	603	130	φ80	φ18	220	160	180	120	SD61-0.5	205	-	-	SLS-4
80-125(I)	440	432.5	793	140	φ80	φ18	220	160	180	120	SD61-1	215	JG2-2	260	SLS-4
80-125(I)A	440	347.5	693	140	φ80	φ18	220	160	180	120	SD61-1	215	JG2-2	260	SLS-4
80-160(I)	500	432.5	798	150	φ80	φ18	220	160	180	120	SD61-1	225	JG2-2	270	SLS-4
80-160(I)A	500	432.5	798	150	φ80	φ18	220	160	180	120	SD61-1	225	JG2-2	270	SLS-4
80-160(I)B	500	432.5	798	150	φ80	φ18	220	160	180	120	SD61-1	225	JG2-2	270	SLS-4
80-200(I)	480	475	846	135	φ80	φ18	220	160	180	120	SD61-1	210	JG2-2	255	SLS-4
80-200(I)A	480	432.5	826	135	φ80	φ18	220	160	180	120	SD61-1	210	JG2-2	255	SLS-4
80-200(I)B	480	432.5	781	135	φ80	φ18	220	160	180	120	SD61-1	210	JG2-2	255	SLS-4
80-250(I)	540	525	963	145	φ80	φ18	220	160	180	120	SD61-1	220	JG2-2	287	SLS-4
80-250(I)A	540	525	963	145	φ80	φ18	220	160	180	120	SD61-1	220	JG2-2	287	SLS-4
80-250(I)B	540	525	963	145	φ80	φ18	220	160	180	120	SD61-1	220	JG2-2	287	SLS-4

TPG 型单级单吸立式离心泵

MODEL TPG SINGLE-STAGE SINGLE-SUCTION VERTICAL CENTRIFUGAL PUMP

TPG型泵安装尺寸表 TPG type pump dimension table

型号 Type	外形尺寸 Figure dimensions					底脚尺寸 Foot dimensions				隔振装置及安装尺寸 Isolation selection and installing dimensions					
										隔振垫 Vibration isolated pad		隔振器 Vibration isolator		联接板 Connection board	
	L	B	H	h	DN	d1	B1	C1	B2	C2	型号 Type	H1	型号 Type	H1	型号 Type
80-315(I)	630	700	1260	160	φ125	φ22	270	210	220	160	SD61-1	235	JG3-2	302	SLS-6
80-315(I)A	630	642.5	1211	160	φ80	φ22	270	210	220	160	SD61-1	235	JG3-2	302	SLS-6
80-315(I)B	630	642.5	1211	160	φ80	φ22	270	210	220	160	SD61-1	235	JG3-2	302	SLS-6
80-315(I)C	630	525	981	160	φ80	φ22	270	210	220	160	SD61-1	235	JG3-2	302	SLS-6
100-100	460	347.5	658	130	φ100	φ18	220	160	180	120	SD61-1	205	-	-	SLS-4
100-100A	460	310	603	130	φ100	φ18	220	160	180	120	SD61-1	205	-	-	SLS-4
100-125	450	432.5	793	140	φ100	φ18	220	160	180	120	SD61-1	215	JG2-2	260	SLS-4
100-125A	450	347.5	693	140	φ100	φ18	220	160	180	120	SD61-1	215	-	-	SLS-4
100-160	500	432.5	798	150	φ100	φ18	220	160	180	120	SD61-1	225	JG2-2	270	SLS-4
100-160A	500	432.5	798	150	φ100	φ18	220	160	180	120	SD61-1	225	JG2-2	270	SLS-4
100-160B	500	432.5	798	150	φ100	φ18	220	160	180	120	SD61-1	225	JG2-2	270	SLS-4
100-200	480	475	906	135	φ100	φ18	220	160	180	120	SD61-1	210	JG2-2	255	SLS-4
100-200A	480	432.5	826	135	φ100	φ18	220	160	180	120	SD61-1	210	JG2-2	255	SLS-4
100-200B	480	432.5	781	135	φ100	φ18	220	160	180	120	SD61-1	210	JG2-2	255	SLS-4
100-250	540	525	963	145	φ100	φ18	220	160	180	120	SD62-1.5	243	JG2-2	265	SLS-4
100-250A	540	525	963	145	φ100	φ18	220	160	180	120	SD62-1.5	243	JG2-2	265	SLS-4
100-250B	540	525	963	145	φ100	φ18	220	160	180	120	SD62-1	243	JG2-2	265	SLS-4
100-315	630	700	1260	160	φ100	φ22	280	220	220	160	SD62-1.5	258	JG3-2	302	SLS-6
100-315A	630	642.5	1211	160	φ100	φ22	280	220	220	160	SD62-1.5	258	JG3-2	302	SLS-6
100-315B	630	642.5	1211	160	φ100	φ22	280	220	220	160	SD62-1.5	258	JG3-2	302	SLS-6
100-350	680	700	1375	180	φ100	φ22	320	240	280	200	SD62-2	278	JG3-2	322	SLS-10
100-350A	680	700	1325	180	φ100	φ22	320	240	280	200	SD62-2	278	JG3-2	322	SLS-10
100-350B	680	700	1325	180	φ100	φ22	320	240	280	200	SD62-2	278	JG3-2	322	SLS-10
125-100	520	347.5	695	145	φ125	φ22	280	220	220	160	SD62-1	220	JG3-2	265	SLS-6
125-100A	520	347.5	695	145	φ125	φ22	280	220	220	160	SD62-1	220	JG3-2	265	SLS-6
125-125	520	432.5	795	145	φ125	φ22	280	220	220	160	SD62-1	220	JG3-2	265	SLS-6
125-125A	520	432.5	795	145	φ125	φ22	280	220	220	160	SD61-1	220	JG3-2	265	SLS-6
125-160	520	475	940	165	φ125	φ22	280	220	220	160	SD61-1	240	JG3-2	307	SLS-6
125-160A	520	432.5	860	165	φ125	φ22	280	220	220	160	SD61-1	240	JG3-2	307	SLS-6
125-160B	520	432.5	815	165	φ125	φ22	280	220	220	160	SD61-1	240	JG3-2	307	SLS-6
125-200	570	525	1020	160	φ125	φ22	280	220	220	160	SD61-1	265	JG3-2	332	SLS-6
125-200A	570	525	1020	160	φ125	φ22	280	220	220	160	SD61-1	265	JG3-2	332	SLS-6
125-200B	570	475	915	160	φ125	φ22	280	220	220	160	SD61-1	265	JG3-2	332	SLS-6
125-250	680	642.5	1260	200	φ125	φ22	280	220	220	160	SD62-1	298	JG3-2	342	SLS-6
125-250A	680	582.5	1160	200	φ125	φ22	280	220	220	160	SD62-1	298	JG3-2	342	SLS-6
125-250B	680	525	1105	200	φ125	φ22	280	220	220	160	SD62-1	298	JG3-2	342	SLS-6
125-315	685	700	1390	195	φ125	φ22	360	310	300	250	SD62-1	293	JG3-2	337	SLS-12
125-315A	685	700	1340	195	φ125	φ22	360	310	300	250	SD62-1	293	JG3-2	337	SLS-12
125-315B	685	700	1340	195	φ125	φ22	360	310	300	250	SD62-1	293	JG3-2	337	SLS-12

TPG型泵安装尺寸表 TPG type pump dimension table

型号 Type	外形尺寸 Figure dimensions					底脚尺寸 Foot dimensions				隔振装置及安装尺寸 Isolation selection and installing dimensions					
										隔振垫 Vibration isolated pad		隔振器 Vibration isolator		联接板 Connection board	
	L	B	H	h	DN	d1	B1	C1	B2	C2	型号 Type	H1	型号 Type	H1	型号 Type
150-125	520	432.5	793	145	φ150	φ22	280	200	220	160	SD41-1.5	220	JG3-2	265	SLS-6
150-125A	520	432.5	793	145	φ150	φ22	280	200	220	160	SD41-1.5	220	JG3-2	265	SLS-6
150-160	520	475	943	170	φ150	φ22	280	220	220	160	SD61-1	245	JG3-2	312	SLS-6
150-160A	520	432.5	863	170	φ150	φ22	280	220	220	160	SD61-1	245	JG3-2	312	SLS-6
150-160B	520	432.5	818	170	φ150	φ22	280	220	220	160	SD61-1	245	JG3-2	312	SLS-6
150-200	680	449	895	190	φ150	φ22	300	250	260	210	SD62-1	288	JG3-2	332	SLS-8
150-200A	680	449	850	190	φ150	φ22	300	250	260	210	SD62-1	288	JG3-2	332	SLS-8
150-200B	680	412	790	190	φ150	φ22	300	250	260	210	SD62-1	288	JG3-2	332	SLS-8
150-250	700	475	980	195	φ150	φ22	300	250	260	210	SD62-1	293	JG3-2	337	SLS-8
150-250A	700	449	900	195	φ150	φ22	300	250	260	210	SD62-1	293	JG3-2	337	SLS-8
150-250B	700	449	855	195	φ150	φ22	300	250	260	210	SD62-1	293	JG3-2	337	SLS-8
150-315	760	525	1100	195	φ150	φ22	310	260	260	210	SD62-1	293	JG3-2	337	SLS-8
150-315A	760	475	1020	195	φ150	φ22	310	260	260	210	SD62-1	293	JG3-2	337	SLS-8
150-315B	760	475	980	195	φ150	φ22	310	260	260	210	SD62-1	293	JG3-2	337	SLS-8
150-350	800	898.5	1610	225	φ150	φ22	380	300	300	250	SD62-1.5	323	JG3-2	413	SLS-12
150-350A	800	898.5	1610	225	φ150	φ22	380	300	300	250	SD62-1.5	323	JG3-2	413	SLS-12
150-350B	800	700	1370	225	φ150	φ22	380	300	300	250	SD62-1.5	323	JG3-2	413	SLS-12
150-400	800	582.5	1160	200	φ150	φ22	310	260	260	210	SD62-1.5	298	JG3-2	342	SLS-12
150-400A	800	582.5	1135	200	φ150	φ22	310	260	260	210	SD62-1	298	JG3-2	342	SLS-8
150-400B	800	525	1105	200	φ150	φ22	310	260	260	210	SD62-1	298	JG3-2	342	SLS-8
150-400C	800	475	1025	200	φ150	φ22	310	260	260	210	SD62-1	298	JG3-2	342	SLS-8
150-500	1020	582.5	1272	240	φ150	φ22	360	310	300	250	SD62-1	328	JG3-2	372	SLS-12
150-500A	1020	582.5	1272	240	φ150	φ22	360	310	300	250	SD62-1	328	JG3-2	372	SLS-12
150-500B	1020	565	1200	240	φ150	φ22	360	310	300	250	SD62-1	328	JG3-2	372	SLS-12
150-250(I)	700	700	1335	195	φ150	φ22	300	250	260	210	SD62-1	293	JG3-2	337	SLS-8
150-250(I)A	700	642.5	1250	195	φ150	φ22	300	250	260	210	SD62-1	293	JG3-2	337	SLS-8
150-250(I)B	700	582.5	1150	195	φ150	φ22	300	250	260	210	SD62-1	293	JG3-2	337	SLS-8
150-315(I)	800	898.5	1600	225	φ150	φ22	380	300	300	250	SD62-1.5	293	JG3-2	337	SLS-12
150-315(I)A	800	700	1410	225	φ150	φ22	380	300	300	250	SD62-1.5	293	JG3-2	337	SLS-12
150-315(I)B	800	700	1275	225	φ150	φ22	380	300	300	250	SD62-1.5	293	JG3-2	337	SLS-12
200-200	770	449	910	235	φ200	φ22	380	300	300	250	SD62-1	303	JG3-2	347	SLS-12
200-200A	770	449	865	235	φ200	φ22	380	300	300	250	SD62-1	303	JG3-2	347	SLS-12
200-250	800	475	1000	220	φ200	φ22	380	300	300	250	SD62-1	313	JG3-2	357	SLS-12
200-250A	800	449	920	220	φ200	φ22	380	300	300	250	SD62-1	313	JG3-2	357	SLS-12
200-250B	800	449	875	220	φ200	φ22	380	300	300	250	SD62-1	313	JG3-2	357	SLS-12
200-315	800	525	1105	200	φ200	φ22	310	260	260	210	SD62-1	298	JG3-2	342	SLS-8
200-315A	800	475	1025	200	φ200	φ22	310	260	260	210	SD62-1	298	JG3-2	342	SLS-8
200-315B	800	475	985	200	φ200	φ22	310	260	260	210	SD62-1	298	JG3-2	342	SLS-8
200-400	860	582.5	1190	230	φ200	φ22	360	310	300	250	SD62-1	328	JG3-2	372	SLS-12
200-400A	860	582.5	1165	230	φ200	φ22	360	310	300	250	SD62-1	328	JG3-2	372	SLS-12
200-400B	860	525	1135	230	φ200	φ22	360	310	300	250	SD62-1	328	JG3-2	372	SLS-12
200-400C	860	475	1055	230	φ200	φ22	360	310	300	250	SD62-1	32			

TPG 型单级单吸立式离心泵

MODEL TPG SINGLE-STAGE SINGLE-SUCTION VERTICAL CENTRIFUGAL PUMP

TPG型泵安装尺寸表 TPG type pump dimension table

型号 Type	外形尺寸 Figure dimensions					底脚尺寸 Foot dimensions					隔振装置及安装尺寸 Isolation selection and installing dimensions					
											隔振垫 Vibration isolated pad		隔振器 Vibration isolator		联接板 Connection board	
	L	B	H	h	DN	d1	B1	C1	B2	C2	型号 Type	H1	型号 Type	H1	型号 Type	
200-200G	815	475	968	245	φ200	φ22	370	300	300	250	SD62-1	333	JG3-2	377	SLS-12	
200-200GA	815	432.5	943	245	φ200	φ22	370	300	300	250	SD62-1	333	JG3-2	377	SLS-12	
200-250G	850	475	1071	235	φ200	φ22	370	300	300	250	SD62-1	333	JG3-2	377	SLS-12	
200-250GA	850	475	1031	235	φ200	φ22	370	300	300	250	SD62-1	333	JG3-2	377	SLS-12	
200-250GB	850	420	1006	235	φ200	φ22	370	300	300	250	SD62-1	333	JG3-2	377	SLS-12	
200-315G	900	582.5	1125	245	φ200	φ22	380	300	300	250	SD62-1	343	JG3-2	387	SLS-12	
200-315GA	900	582.5	1100	245	φ200	φ22	380	300	300	250	SD62-1	343	JG3-2	387	SLS-12	
200-315GB	900	525	1075	245	φ200	φ22	380	300	300	250	SD62-1	343	JG3-2	387	SLS-12	
200-400G	900	700	1280	240	φ200	φ22	380	300	300	250	SD62-1	338	JG3-2	382	SLS-12	
200-400GA	900	642.5	1210	240	φ200	φ22	380	300	300	250	SD62-1	338	JG3-2	382	SLS-12	
200-400GB	900	582.5	1215	240	φ200	φ22	380	300	300	250	SD62-1	338	JG3-2	382	SLS-12	
200-400GC	900	582.5	1990	240	φ200	φ22	380	300	300	250	SD62-1	338	JG3-2	382	SLS-12	
200-500G	1090	898.5	1557	280	φ200	φ22	360	310	300	250	SD62-1	378	JG3-2	422	SLS-12	
200-500GA	1090	700	1407	280	φ200	φ22	360	310	300	250	SD62-1	378	JG3-2	422	SLS-12	
200-500GB	1090	700	1335	280	φ200	φ22	360	310	300	250	SD62-1	378	JG3-2	422	SLS-12	
200-500GC	1090	642.5	1265	280	φ200	φ22	360	310	300	250	SD62-1	378	JG3-2	422	SLS-12	
200-200(I)	815	525	1078	245	φ200	φ22	370	300	300	250	SD62-1	343	JG3-2	387	SLS-12	
200-200(I)A	815	475	958	245	φ200	φ22	370	300	300	250	SD62-1	343	JG3-2	387	SLS-12	
200-250(I)	830	525	1131	235	φ200	φ22	370	300	300	250	SD62-1	328	JG3-2	372	SLS-12	
200-250(I)A	830	475	1051	235	φ200	φ22	370	300	300	250	SD62-1	328	JG3-2	372	SLS-12	
200-250(I)B	830	475	1011	235	φ200	φ22	370	300	300	250	SD62-1	328	JG3-2	372	SLS-12	
200-315(I)	860	642.5	1300	225	φ200	φ22	360	300	300	250	SD62-1	323	JG3-2	367	SLS-12	
200-315(I)A	860	582.5	1200	225	φ200	φ22	360	300	300	250	SD62-1	323	JG3-2	367	SLS-12	
200-315(I)B	860	582.5	1175	225	φ200	φ22	360	300	300	250	SD62-1	323	JG3-2	367	SLS-12	
200-400(I)	880	700	1465	240	φ200	φ22	360	310	300	250	SD62-1.5	338	JG3-2	382	SLS-12	
200-400(I)A	880	700	1400	240	φ200	φ22	360	310	300	250	SD62-1.5	338	JG3-2	382	SLS-12	
200-400(I)B	880	642.5	1315	240	φ200	φ22	360	310	300	250	SD62-1	338	JG3-2	382	SLS-12	
200-400(I)C	880	582.5	1215	240	φ200	φ22	360	310	300	250	SD62-1	378	JG3-2	382	SLS-12	
200-500(I)	1090	898.5	1817	280	φ200	φ22	360	310	300	250	SD62-1	378	JG3-2	422	SLS-12	
200-500(I)A	1090	898.5	1717	280	φ200	φ22	360	310	300	250	SD62-1	378	JG3-2	422	SLS-12	
200-500(I)B	1090	700	1505	280	φ200	φ22	360	310	300	250	SD62-1	378	JG3-2	422	SLS-12	
200-500(I)C	1090	700	1455	280	φ200	φ22	360	310	300	250	SD62-1	378	JG3-2	422	SLS-12	
250-250	1100	506	940	300	φ250	φ22	400	350	350	300	SD62-1	333	JG3-2	377	SLS-13	
250-250(I)	1100	582.5	1195	300	φ250	φ22	400	350	350	300	SD62-1	333	JG3-2	377	SLS-13	
250-250(I)A	1100	582.5	1170	300	φ250	φ22	400	350	350	300	SD62-1	333	JG3-2	377	SLS-13	
250-235	1100	514	1080	300	φ250	φ22	400	350	350	300	SD62-1	353	JG3-2	397	SLS-13	
250-300	1100	582.5	1125	300	φ250	φ22	400	350	350	300	SD62-1	378	JG3-2	422	SLS-13	
250-315	1100	700	1455	300	φ250	φ22	400	350	350	300	SD62-1.5	398	JG3-2	442	SLS-12	
250-315A	1100	642.5	1370	300	φ250	φ22	400	350	350	300	SD62-1.5	398	JG3-2	442	SLS-12	
250-315B	1100	582.5	1180	300	φ250	φ22	400	350	350	300	SD62-1.5	398	JG3-2	442	SLS-12	
250-400	1200	700	1550	310	φ250	φ26	500	400	430	330	SD62-1.5	408	JG4-2	498	SLS-15	
250-400A	1200	700	1550	310	φ250	φ26	500	400	430	330	SD62-1.5	408	JG4-2	498	SLS-15	
250-400B	1200	700	1500	310	φ250	φ26	500	400	430	330	SD62-1.5	408	JG4-2	498	SLS-15	

TPG型泵安装尺寸表 TPG type pump dimension table

型号 Type	外形尺寸 Figure dimensions					底脚尺寸 Foot dimensions					隔振装置及安装尺寸 Isolation selection and installing dimensions					
											隔振垫 Vibration isolated pad		隔振器 Vibration isolator		联接板 Connection board	
	L	B	H	h	DN	d1	B1	C1	B2	C2	型号 Type	H1	型号 Type	H1	型号 Type	
250-500	1270	898.5	1880	350	φ250	φ26	500	400	450	350	SD62-1.5	448	JG4-2	538	SLS-16	
250-500A	1270	898.5	1880	350	φ250	φ26	500	400	450	350	SD62-1.5	448	JG4-2	538	SLS-16	
250-500B	1270	898.5	1780	350	φ250	φ26	500	400	450	350	SD62-1.5	448	JG4-2	538	SLS-16	
250-500C	1270	700	1590	350	φ250	φ26	500	400	450	350	SD62-1.5	448	JG4-2	538	SLS-16	
300-235	1200	642.5	1370	380	φ300	φ26	500	400	450	350	SD62-1.5	398	JG4-2	488	SLS-14	
300-235A	1200	582.5	1270	380	φ300	φ26	500	400	450	350	SD62-1.5	398	JG4-2	488	SLS-14	
300-235B	1200	582.5	1245	380	φ300	φ26	500	400	450	350	SD62-1.5	398	JG4-2	488	SLS-14	
300-250	1200	642.5	1385	380	φ300	φ26	500	400	450	350	SD62-1.5	398	JG4-2	488	SLS-14	
300-250A	1200	582.5	1285	380	φ300	φ26	500	400	450	350	SD62-1.5	398	JG4-2	488	SLS-14	
300-300	1200	761	1557	365	φ300	φ26	500	400	430	330	SD62-1.5	468	JG4-2	558	SLS-15	
300-300A	1200	749	1472	365	φ300	φ26	500	400	430	330	SD62-1.5	468	JG4-2	558	SLS-15	
300-300B	1200	749	1372	365	φ300	φ26	500	400	430	330	SD62-1.5	468	JG4-2	558	SLS-15	
300-315	1200	761	1610	380	φ300	φ26	500	400	450	350	SD62-2	478	JG4-2	568	SLS-16	
300-315A	1200	761	1555	380	φ300	φ26	500	400	450	350	SD62-2	478	JG4-2	568	SLS-16	
300-315B	1200	749	1470	380	φ300	φ26	500	400	450	350	SD62-1.5	478	JG4-2	568	SLS-16	
300-400	1300	927	1800	360	φ300	φ26	530	480	480	430	SD62-2	458	JG4-2	548	SLS-18	
300-400A	1300	761	1610	360	φ300	φ26	530	480	480	430	SD62-2	458	JG4-2	548	SLS-18	
300-390	1200	761	1632	365	φ300	φ26	500	400	430	330	SD63-2	501	JG4-2	568	SLS-17	
300-390A	1200	761	1567	365	φ300	φ26	500	400	430	330	SD63-1.5	501	JG4-2	568	SLS-17	
300-390B	1200	749	1382	365	φ300	φ26	500	400	430	330	SD63-1.5	501	JG4-2	568	SLS-17	
300-500	1420	1055	2015	400	φ300	φ26	550	480	480	430	SD62-2.5	498	JG4-2	588	SLS-18	
300-500A	1420	982	1780	400	φ300	φ26	550	480	480	430	SD62-2.5	498	JG4-2	588	SLS-18	
300-500B	1420	982	1780	400	φ300	φ26	550	480	480	430	SD62-2.5	498	JG4-2	588	SLS-18	
300-500C	1420	982	1670	400	φ300	φ26	550	480	480	430	SD62-2.5	498	JG4-2	588	SLS-18	
350-235	1190	750	1335	360	φ350	φ26	500	450	450	400	SD62-1.5	458	JG4-2	548	SLS-17	
350-300	1190	761	1545	360	φ350	φ26	500	450	450	400	SD62-1.5	458	JG4-2	548	SLS-17	
350-315	1190	761	1605	360	φ350	φ26	500	450	450	400	SD62-2	458	JG4-2	548	SLS-17	
350-400	1400	927	1960	400	φ350	φ26	500	450	450	400	SD62-2.5	498	JG4-2	588	SLS-17	
350-450	1700	960	1790	460	φ350	φ26	550	500	480	430	SD62-2.5	528	JG4-2	618	SLS-17	
350-450A	1700	960	1680	460	φ350	φ26	550	500	480	430	SD62-2.5	528	JG4-2	618	SLS-17	
350-525	1700	1055	2020	460	φ350	φ26	550	500	480	430	SD62-2.5	528	JG4-2	618	SLS-18	
350-525A	1700	960	1790	460	φ350	φ26	550	500	480	430	SD62-2.5	528	JG4-2	618	SLS-18	
350-525B	1700	960	1790	460	φ350	φ26	550	500	480	430	SD62-2.5	528	JG4-2	618	SLS-18	
350-600	1700	1055	2050	460	φ350	φ26	550	500	480	430	SD62-4	548	JG4-2	638	SLS-18	
350-600A	1700	1055	2050	460	φ350	φ26	550	500	480	430	SD62-4	548	JG4-2	638	SLS-18	
350-600B	1700	1055	1845	460	φ350	φ26	550	500	480	430	SD62-4	548	JG4-2	638	SLS-18	
400-300	1350	761	165													

TPG 型单级单吸立式离心泵

MODEL TPG SINGLE-STAGE SINGLE-SUCTION VERTICAL CENTRIFUGAL PUMP

TPG型泵安装尺寸表 TPG type pump dimension table

型号 Type	外形尺寸 Figure dimensions					底脚尺寸 Foot dimensions					隔振装置及安装尺寸 Isolation selection and installing dimensions				
											隔振垫 Vibration isolated pad	隔振器 Vibration isolator		联接板 Connection board	
	L	B	H	h	DN	d1	B1	C1	B2	C2	型号 Type	H1	型号 Type	H1	型号 Type
40-160	320	160.5	404	85	≅40	φ14	150	100	120	70	SD41-0.5	160	-	-	SLS-1
40-200	340	237.5	463	95	≅40	φ14	170	120	130	80	SD41-0.5	170	-	-	SLS-2
40-250	400	267.5	480	95	≅40	φ14	170	120	130	80	SD41-0.5	170	-	-	SLS-2
40-250A	400	255	470	95	≅40	φ14	170	120	130	80	SD41-0.5	170	-	-	SLS-2
40-250B	400	255	470	95	≅40	φ14	170	120	130	80	SD41-0.5	170	-	-	SLS-2
40-125(I)	300	160.5	421	100	≅40	φ14	150	100	120	70	SD41-0.5	175	-	-	SLS-1
40-160(I)	320	237.5	470	100	≅40	φ14	170	120	130	80	SD41-0.5	175	-	-	SLS-2
40-200(I)	380	241	470	100	≅40	φ14	170	120	130	80	SD41-0.5	175	-	-	SLS-2
40-250(I)	440	309	532	100	≅40	φ18	200	140	160	100	SD41-0.5	185	-	-	SLS-3
40-250(I)A	440	309	502	100	≅40	φ18	200	140	160	100	SD41-0.5	185	-	-	SLS-3
40-250(I)B	440	309	502	100	≅40	φ18	200	140	160	100	SD41-0.5	185	-	-	SLS-3
50-125	300	160.5	422	100	≅50	φ14	150	100	120	70	SD41-0.5	175	-	-	SLS-1
50-160	320	237.5	470	100	≅50	φ14	170	120	130	80	SD41-0.5	175	-	-	SLS-2
50-200	380	241	470	100	≅50	φ14	170	120	130	80	SD41-0.5	175	-	-	SLS-2
50-250	440	309	532	100	≅50	φ18	200	140	160	100	SD41-0.5	175	-	-	SLS-3
50-250A	440	309	502	100	≅50	φ18	200	140	160	100	SD41-0.5	175	-	-	SLS-3
50-250B	440	309	502	100	≅50	φ18	200	140	160	100	SD41-0.5	175	-	-	SLS-3
50-125(I)	340	237.5	480	105	≅50	φ18	200	140	160	100	SD41-0.5	180	-	-	SLS-3
50-160(I)	380	237.5	472	105	≅50	φ18	200	140	160	100	SD41-0.5	180	-	-	SLS-3
50-200(I)	380	257.5	495	115	≅50	φ18	200	140	160	100	SD41-0.5	185	-	-	SLS-3
50-200(I)A	380	257.5	495	115	≅50	φ18	200	140	160	100	SD41-0.5	185	-	-	SLS-3
50-250(I)	480	305	560	120	≅50	φ18	220	160	180	120	SD41-0.5	195	-	-	SLS-4
50-250(I)A	480	292	535	120	≅50	φ18	220	160	180	120	SD41-0.5	195	-	-	SLS-4
50-250(I)B	480	292	535	120	≅50	φ18	220	160	180	120	SD41-0.5	195	-	-	SLS-4
50-315(I)	550	327	600	130	≅50	φ18	220	160	180	120	SD41-1	205	JG2-2	250	SLS-4
50-315(I)A	550	292	545	130	≅50	φ18	220	160	180	120	SD41-1.5	205	JG2-2	250	SLS-4
50-315(I)B	550	292	545	130	≅50	φ18	220	160	180	120	SD41-1.5	205	JG2-2	250	SLS-4
65-125	340	237.5	480	105	≅65	φ18	200	140	160	100	SD41-0.5	180	-	-	SLS-3
65-160	360	237.5	472	105	≅65	φ18	200	140	160	100	SD41-0.5	180	-	-	SLS-3
65-200	380	257.5	495	110	≅65	φ18	200	140	160	100	SD61-0.5	185	-	-	SLS-3
65-200A	380	257.5	495	110	≅65	φ18	200	140	160	100	SD61-0.5	185	-	-	SLS-3
65-250	480	305	560	120	≅65	φ18	220	160	180	120	SD61-0.5	195	JG2-2	240	SLS-4
65-250A	480	292	535	120	≅65	φ18	220	160	180	120	SD61-0.5	195	JG2-2	240	SLS-4
65-250B	480	292	535	120	≅65	φ18	220	160	180	120	SD61-0.5	195	-	-	SLS-4
65-315	550	327	600	130	≅65	φ18	220	160	180	120	SD61-0.5	205	JG2-2	250	SLS-4
65-315A	550	292	545	130	≅65	φ18	220	160	180	120	SD61-0.5	205	JG2-2	250	SLS-4
65-315B	550	292	545	130	≅65	φ18	220	160	180	120	SD61-0.5	205	JG2-2	250	SLS-4
65-125(I)	400	237.5	510	130	≅65	φ18	200	140	160	100	SD61-0.5	205	-	-	SLS-3
65-160(I)	400	257.5	510	120	≅65	φ18	200	140	160	100	SD61-0.5	195	-	-	SLS-3
65-200(I)	430	287.5	570	125	≅65	φ18	200	140	160	100	SD61-0.5	200	-	-	SLS-3
65-200(I)A	430	257.5	545	125	≅65	φ18	200	140	160	100	SD61-0.5	200	-	-	SLS-3
65-250(I)	480	287.5	585	130	≅65	φ18	220	160	180	120	SD61-0.5	205	JG2-2	250	SLS-4
65-250(I)A	480	287.5	585	130	≅65	φ18	220	160	180	120	SD61-0.5	205	JG2-2	250	SLS-4
65-250(I)B	480	287.5	585	130	≅65	φ18	220	160	180	120	SD61-0.5	205	JG2-2	250	SLS-4
65-315(I)	580	347.5	680	140	≅65	φ18	280	200	220	160	SD61-0.5	215	JG3-2	260	SLS-6
65-315(I)A	580	347.5	680	140	≅65	φ18	280	200	220	160	SD61-0.5	215	JG3-2	260	SLS-6
65-315(I)B	580	310	595	140	≅65	φ18	280	200	220	160	SD61-0.5	215	JG3-2	260	SLS-6
80-125	400	237.5	510	130	≅80	φ18	200	140	160	100	SD61-0.5	205	-	-	SLS-3
80-160	400	257.5	510	120	≅80	φ18	200	140	160	100	SD61-0.5	195	-	-	SLS-3
80-200	430	287.5	570	125	≅80	φ18	200	140	160	100	SD61-0.5	200	-	-	SLS-3
80-200A	430	257.5	545	125	≅80	φ18	200	140	160	100	SD61-0.5	200	-	-	SLS-3
80-250	480	287.5	585	130	≅80	φ18	220	160	180	120	SD61-0.5	205	JG2-2	250	SLS-4
80-250A	480	287.5	585	130	≅80	φ18	220	160	180	120	SD61-0.5	205	JG2-2	250	SLS-4
80-250B	480	287.5	585	130	≅80	φ18	220	160	180	120	SD61-0.5	205	JG2-2	250	SLS-4
80-315	580	347.5	680	140	≅80	φ18	280	220	220	160	SD61-0.5	215	JG3-2	282	SLS-6
80-315A	580	347.5	680	140	≅80	φ18	280	220	220	160	SD61-0.5	215	JG3-2	282	SLS-6
80-315B	580	332	615	140	≅80	φ18	280	220	220	160	SD61-0.5	215	JG3-2	282	SLS-6
80-125(I)	440	292	573	140	≅80	φ18	220	160	180	120	SD61-0.5	215	-	-	SLS-4
80-160(I)	500	305	603	150	≅80	φ18	220	160	180	120	SD61-0.5	225	-	-	SLS-4
80-160(I)A	500	292	578	150	≅80	φ18	220	160	180	120	SD61-0.5	225	-	-	SLS-4

TPG型泵安装尺寸表 TPG type pump dimension table

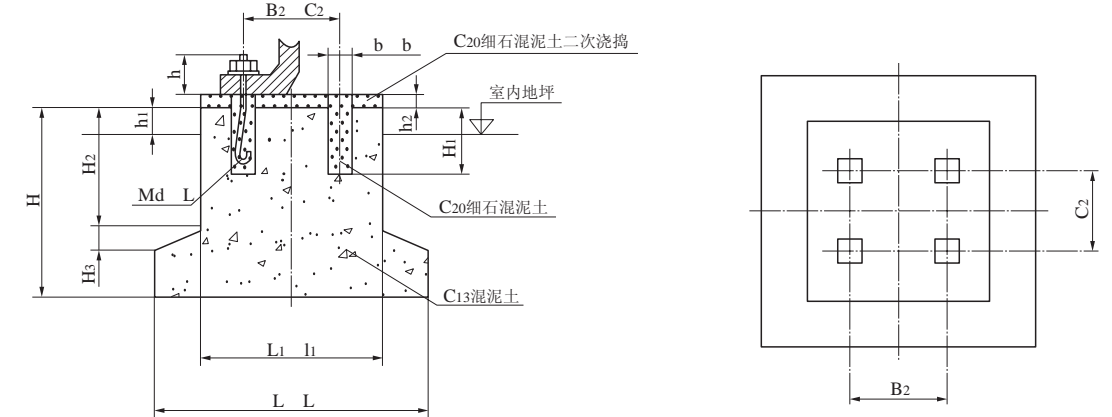
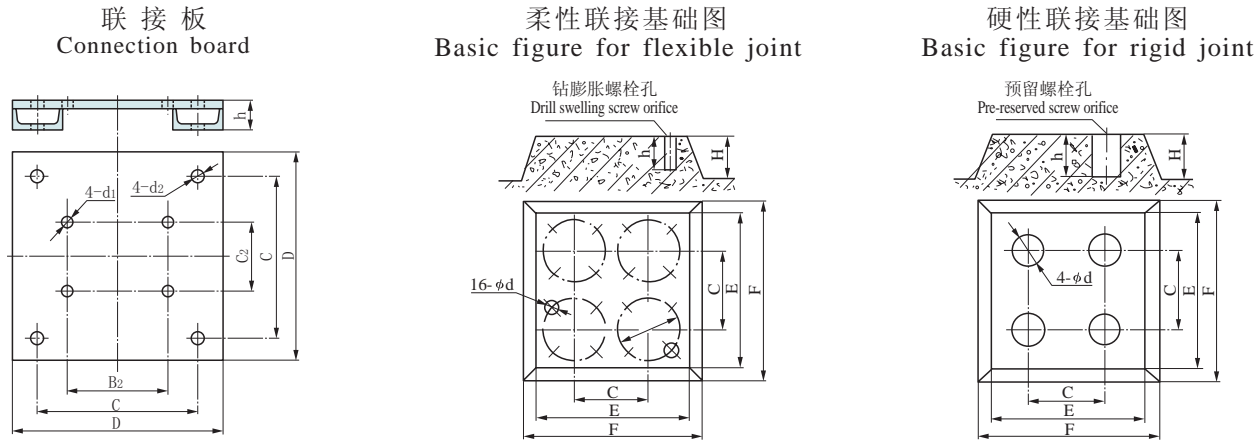
型号 Type	外形尺寸 Figure dimensions					底脚尺寸 Foot dimensions					隔振装置及安装尺寸 Isolation selection and installing dimensions				
											隔振垫 Vibration isolated pad	隔振器 Vibration isolator		联接板 Connection board	
	L	B	H	h	DN	d1	B1	C1	B2	C2	型号 Type	H1	型号 Type	H1	型号 Type
80-200(I)	480	304.5	596	135	φ80	φ18	220	160	180	120	SD61-0.5	210	JG2-2	255	SLS-4
80-200(I)A	480	304.5	596	135	φ80	φ18	220	160	180	120	SD61-0.5	210	JG2-2	255	SLS-4
80-250(I)	540	378	683	145	φ100	φ18	220	160	180	120	SD61-0.5	220	JG2-2	287	SLS-4
80-250(I)A	540	363	628	145	φ100	φ18	220	160	180	120	SD61-0.5	220	JG2-2	287	SLS-4
80-250(I)B	540	363	628	145	φ100	φ18	220	160	180	120	SD61-0.5	220	JG2-2	287	SLS-4
80-315(I)	630	432.5	811	160	φ80	φ22	270	210	220	160	SD61-1	235	JG3-2	302	SLS-6
80-315(I)A	630	369	741	160	φ80	φ22	270	210	220	160	SD61-1	235	JG3-2	302	SLS-6
80-315(I)B	630	369	741	160	φ80	φ22	270	210	220	160	SD61-1	235	JG3-2	302	SLS-6
100-125	450	292	573	140	φ100	φ18	220	160	180	120	SD61-0.5	215	-	-	SLS-4
100-160	500	305	603	150	φ100	φ18	220	160	180	120	SD61-0.5	225	-	-	SLS-4
100-160A	500	292	578	150	φ100	φ18	220	160	180	120	SD61-0.5	225	-	-	SLS-4
100-200	480	304.5	596	135	φ100	φ18	220	160	180	120	SD61-0.5	210	-	-	SLS-4
100-200A	480	304.5	596	135	φ100	φ18	220	160	180	120	SD61-0.5	210	-	-	SLS-4
100-250	540	378	683	145	φ100	φ18	220	160	180	120	SD62-1	243	JG2-2	265	SLS-4
100-250A	540	363	628	145	φ100	φ18	220	160	180	120	SD62-1	243	JG2-2	265	SLS-4
100-250B	540	363	628	145	φ100	φ18	220	160	180	120	SD62-1	243	JG2-2	265	SLS-4
100-315	630	432.5	811	160	φ100	φ22	280	220	220	160	SD62-1	258	JG3-2	302	SLS-6
100-315A	630	369	741	160	φ100	φ22	280	220	220	160	SD62-1	258	JG2-2	302	SLS-6
100-315B	630	369	741	160	φ100	φ22	280	220	220	160	SD62-1	258	JG2-2	302	SLS-6
100-125(I)	520	302	600	145	φ100	φ22	280	200	220	160	SD61-1	220	-	-	SLS-6
100-160(I)	520	333	630	165	φ100	φ22	280	200	220	160	SD61-1	240	JG3-2	307	SLS-6
100-200(I)	690	412	737	190	φ100	φ22	260	220	220	160	SD61-1	265	JG3-2	332	SLS-6
100-200(I)A	690	412	672	190	φ100	φ22	260	220	220	160	SD61-1	265	-	-	SLS-6
100-25															

TPG 型单级单吸立式离心泵

MODEL TPG SINGLE-STAGE SINGLE-SUCTION VERTICAL CENTRIFUGAL PUMP

泵附件及安装基础图表 Pump spare parts and installation basic figure table

TPG型泵无隔振安装基础图 Installation basic drawing for TPG type pump non-isolation

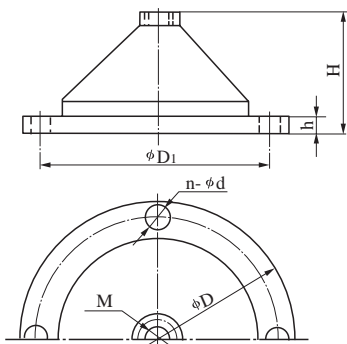


型号 Type	联接板尺寸 Connection board dimensions								柔性联接基础尺寸 Basic dimensions for flexible joint								硬性联接基础尺寸 Basic dimensions for rigid joint							
	B2	C2	C	C	D	D	h	d1	d	H	E	F	C	φD	φd	h	H	E	F	C	φd	h		
SLS-1	120	70	240	240	300	300	55	φ14	φ12	200	450	500	240	/	/	/	100	450	500	240	60	200		
SLS-2	130	80	240	240	300	300	55	φ14	φ12	200	450	500	240	/	/	/	100	450	500	240	60	200		
SLS-3	160	100	340	340	400	400	55	φ18	φ14	250	650	700	340	同 隔 振 器 D1 Copper vibration isolator D1	φ14.5	60	150	650	700	340	80	250		
SLS-4	180	120	340	340	400	400	55	φ18	φ14	250	650	700	340		φ14.5	60	150	650	700	340	80	250		
SLS-5	200	140	340	340	400	400	55	φ22	φ18	250	650	700	340		φ14.5	60	150	650	700	340	80	250		
SLS-6	220	160	340	340	400	400	55	φ22	φ18	250	650	700	340		φ14.5	60	150	650	700	340	80	250		
SLS-7	240	120	340	340	400	400	55	φ22	φ18	250	650	700	340		φ14.5	60	150	650	700	340	80	250		
SLS-8	260	210	440	440	500	500	55	φ22	φ18	300	750	800	440		φ14.5	60	200	750	800	440	80	250		
SLS-9	280	190	440	440	500	500	55	φ22	φ18	300	750	800	440		φ14.5	60	200	750	800	440	80	250		
SLS-10	280	200	440	440	500	500	55	φ22	φ18	300	750	800	440		φ14.5	60	200	750	800	440	80	250		
SLS-11	280	230	440	440	500	500	55	φ22	φ18	300	750	800	440		φ14.5	60	200	750	800	440	80	250		
SLS-12	300	250	540	540	600	600	55	φ22	φ18	300	850	950	540		φ14.5	60	200	850	950	540	80	250		
SLS-13	350	300	540	540	600	600	55	φ22	φ18	300	850	950	540		φ14.5	60	200	850	950	540	80	250		
SLS-14	400	300	740	740	800	800	55	φ26	φ22	350	1000	1100	740		φ14.5	60	250	1000	1000	740	80	300		
SLS-15	430	330	740	740	800	800	55	φ26	φ22	350	1000	1100	740		φ14.5	60	250	1000	1100	740	80	300		
SLS-16	450	350	740	740	800	800	55	φ26	φ22	350	1000	1100	740		φ14.5	60	250	1000	1100	740	80	300		
SLS-17	450	400	740	740	800	800	55	φ26	φ22	350	1000	1100	740		φ14.5	60	250	1000	1100	740	80	300		
SLS-18	480	430	840	840	900	900	55	φ26	φ22	350	1200	1300	840		φ14.5	60	250	1200	1300	840	80	300		
SLS-19	480	400	740	740	800	800	55	φ26	φ22	350	1000	1100	740		φ14.5	60	250	1000	1100	740	80	300		

超过500公斤重量水泵无隔振基础尺寸表 Table of basic dimension for over-500kg non-isolation water pump

水泵型号 Type	B2	C2	b	L	L1	H	H1	H2	H3	h	h1	h2	Md	L
80-315(I)	220	160	100	850	650	880	600	745	80	65	50	50	M20	600
100-315	220	160	100	850	650	880	600	745	80	65	50	50	M20	600
100-350	280	200	100	900	730	880	600	765	80	70	50	50	M20	600
125-250	220	160	100	850	650	880	600	745	80	65	50	50	M20	600
125-315	300	250	100	950	750	880	600	765	80	65	50	50	M20	600
150-250(I)	260	210	100	900	700	880	600	765	80	65	50	50	M20	600
150-315(I)	260	210	100	900	700	880	600	765	80	65	50	50	M20	600
150-350	300	250	100	950	750	880	600	765	80	65	50	50	M20	600
150-400	260	210	100	900	700	880	600	765	80	65	50	50	M20	600
200-315	260	210	100	900	700	880	600	765	80	65	50	50	M20	600
200-400	300	250	100	950	750	880	600	765	80	65	50	50	M20	600
200-315G	300	250	100	950	750	880	600	765	80	65	50	50	M20	600
200-400G	300	250	100	950	750	880	600	765	80	65	50	50	M20	600
200-500G	300	250	100	950	750	880	600	765	80	65	50	50	M20	600
200-200(I)	300	250	100	950	750	880	600	765	80	65	50	50	M20	600
200-250(I)	300	250	100	950	750	880	600	765	80	65	50	50	M20	600
200-315(I)	300	250	100	950	750	880	600	765	80	65	50	50	M20	600
200-400(I)	300	250	100	950	750	880	600	765	80	65	50	50	M20	600
250-250	350	300	100	1000	800	880	600	765	80	65	50	50	M20	600
250-250(I)	350	300	100	1000	800	880	600	765	80	65	50	50	M20	600
250-235	350	300	100	1000	800	880	600	765	80	65	50	50	M20	600
250-315	350	300	100	1000	800	880	600	765	80	65	50	50	M24	600
250-400	430	330	120	1100	850	1100	600	765	80	90	50	50	M24	600
250-500	450	350	120	1200	900	1100	600	845	90	100	50	50	M24	600
300-235	400	300	120	1100	850	880	600	765	80	90	50	50	M24	600
300-250	400	300	120	1100	850	880	600	765	80	90	50	50	M24	600
300-300	430	330	120	1100	850	1100	600	765	80	90	50	50	M24	600
300-315	450	350	120	1200	900	1100	600	845	90	100	50	50	M24	600
300-400	480	430	120	1400	1000	1400	600	915	100	120	50	50	M24	600
300-390	450	400	120	1200	900	1100	600	915	90	120	50	50	M24	600
300-500	480	430	120	1400	1000	1400	600	915	100	120	50	50	M24	600
350-235	450	400	120	1200	900	1100	600	915	90	120	50	50	M24	600
350-300	450	400	120	1200	900	1100	600	915	90	120	50	50	M24	600
350-315	450	400	120	1200	900	1100	600	915	90	120	50	50	M24	600
350-400	450	400	120	1200	900	1100	600	915	90	120	50	50	M24	600
350-450	450	400	120	1200	900	1100	600	915	90	120	50	50	M24	600
350-525	480	430	120	1400	1000	1400	600	915	100	120	50	50	M24	600
350-600	480	430	120	1400	1000	1400	600	915	100	120	50	50	M24	600
400-300	450	400	120	1200	900	1100	600	915	90	120	50	50	M24	600
400-315	480	400	120	1200	900	1100	600	915	90	120	50	50	M24	600
400-450	480	430	120	1400	1000	1400	600	915	100	120	50	50	M24	600
400-500	480	430	120	1400	1000	1400	600	915	100	120	50	50	M24	600
500-300	480	430	120	1400	1000	1400	600	915	100	120	50	50	M24	600
500-315	480	430	120	1400	1000	1400	600	915	100	120	50	50	M24	600

JG型隔振器安装尺寸
Installation dimensions for vibration isolator



型号 Type	M	D	D1	H	d	h
JG1-2	M10	100	80	43	8.5	4
JG2-2	M12	150	130	65	8.5	4
JG3-2	M16	200	170	87	12.5	4
JG4-2	M20	290	260	133	12.5	4

SD隔振垫
SD Vibration-insulating pad

